

## Owners Manual

## 60 Series

T600 \_\_\_  
T602 \_\_\_  
T604 \_\_\_

Write purchased model number here.

For easy installation of your Brizo® faucet you will need:

- To **READ ALL** the instructions completely before beginning.
- To **READ ALL** warnings, care, and maintenance information.

### You May Need



### Table of Contents:

Warranty .....	Page 2
Installation Instructions .....	Pages 3 - 8
Maintenance .....	Page 8
Replacement Parts .....	Pages 9-19

**CAUTION:** This system/device must be set by the installer to ensure safe, maximum temperature. Any change in the setting may raise the discharge temperature above the limit considered safe and may lead to hot water burns.

**NOTICE TO INSTALLER: CAUTION!**—As the installer of this valve, it is your responsibility to properly **INSTALL** and **ADJUST** this valve per the instructions given. This valve does not automatically adjust for inlet temperature changes, therefore, someone must make the necessary temperature knob adjustments at the time of installation and further adjustments may be necessary due to seasonal water temperature change. **YOU MUST** inform the owner/user of this requirement by following the instructions. If you or the owner/user are unsure how to properly make these adjustments, please refer to page 7 and if still uncertain, call us at 1-877-345-BRIZO (2749).

After installation and adjustment, you must affix your name, company name and the date you adjusted the temperature knob to the caution label provided and apply or attach the label to the back

side of the closest cabinet door and the warning label to the water heater. **Leave this Instruction Sheet for the owner's/user's reference.**

**WARNING:** This thermostatic bath valve is designed to minimize the effects of outlet water temperature changes due to inlet pressure and temperature changes, commonly caused by dishwashers, washing machines, toilets and the like. It may not provide protection from hot water burns when there is a failure of other temperature controlling devices elsewhere in the plumbing system, if the temperature knob is not properly set or if the hot water temperature is changed after the settings are made or if the water inlet changes due to seasonal changes.

**WARNING:** Do not install a shut-off device on either outlet of this valve. When this type of device shuts off the water flow, it can defeat the ability of the valve to balance the hot and cold water pressures.

## Limited Warranty on Brizo® Faucets

### Parts and Finish

All parts (other than electronic parts and batteries) and finishes of this Brizo® faucet are warranted to the original consumer purchaser to be free from defects in material and workmanship for as long as the original consumer purchaser owns the home in which the faucet was first installed or, for commercial users, for 5 years from the date of purchase.

### Electronic Parts and Batteries (if applicable)

Electronic parts (other than batteries), if any, of this Brizo® faucet are warranted to the original consumer purchaser to be free from defects in material and workmanship for 5 years from the date of purchase or, for commercial users, for one year from the date of purchase. No warranty is provided on batteries.

Brizo Kitchen & Bath Company will replace, FREE OF CHARGE, during the applicable warranty period, any part or finish that proves defective in material and/or workmanship under normal installation, use and service. If repair or replacement is not practical, Brizo Kitchen & Bath Company may elect to refund the purchase price in exchange for the return of the product. **These are your exclusive remedies.**

Brizo Kitchen & Bath Company recommends using a professional plumber for all installation and repair. We also recommend that you use only genuine Brizo® replacement parts.

Brizo Kitchen & Bath Company shall not be liable for any damage to the faucet resulting from misuse, abuse, neglect or improper or incorrectly performed installation, maintenance or repair, including failure to follow the applicable care and cleaning instructions.

Replacement parts may be obtained by calling the applicable number below or by writing to:

#### In the United States and Mexico:

Brizo Kitchen & Bath Company  
Product Service  
55 E. 111th Street  
Indianapolis, IN 46280  
1-877-345-BRIZO (2749)  
brizosupport@brizo.com

#### In Canada:

Masco Canada Limited, Plumbing Group  
Technical Service Centre  
350 South Edgeware Road  
St. Thomas, Ontario, Canada N5P 4L1  
1-877-345-BRIZO (2749)  
customerservice@mascocanada.com

Proof of purchase (original sales receipt) from the original purchaser must be made available to Brizo Kitchen & Bath Company for all warranty claims unless the purchaser has registered the product with Brizo Kitchen & Bath Company. This warranty applies only to Brizo® faucets manufactured after January 1, 1995 and installed in the United States of America, Canada and Mexico.

BRIZO KITCHEN & BATH COMPANY SHALL NOT BE LIABLE FOR ANY SPECIAL, INCIDENTAL OR CONSEQUENTIAL DAMAGES (INCLUDING LABOR CHARGES) FOR BREACH OF ANY EXPRESS OR IMPLIED WARRANTY ON THE FAUCET. Some states/provinces do not allow the exclusion or limitation of special, incidental or consequential damages, so these limitations and exclusions may not apply to you. This warranty gives you special legal rights. You may also have other rights which vary from state/province to state/province.

This is Brizo Kitchen & Bath Company's exclusive written warranty and the warranty is not transferable.

If you have any questions or concerns regarding our warranty, please view our Warranty FAQs at [www.brizo.com](http://www.brizo.com), email us at [brizosupport@brizo.com](mailto:brizosupport@brizo.com) or call us at the applicable number above.

[www.brizo.com](http://www.brizo.com)

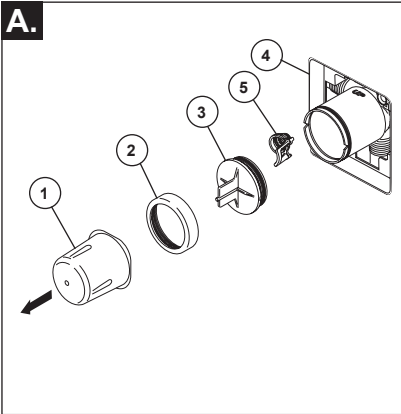
© 2018 Masco Corporation of Indiana

## Cleaning and Care

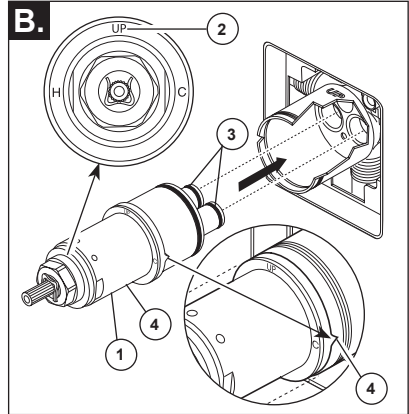
Care should be given to the cleaning of this product. Although its finish is extremely durable, it can be damaged by

harsh abrasives or polish. To clean, simply wipe gently with a damp cloth and blot dry with a soft towel.

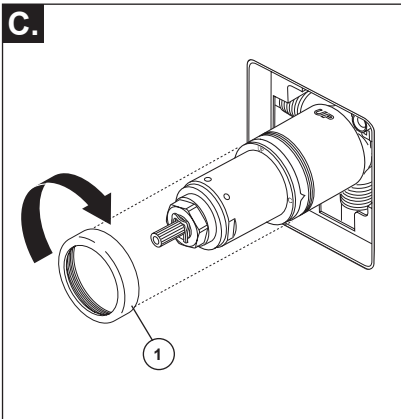
## 1 Cartridge Installation



**Turn off water supplies.** Remove cover (1), bonnet nut (2) and test cap (3) from the body. If this is not a thin wall mounting, the entire plaster-guard (4) may be removed. If screen (5) is in place, remove before installing cartridge.

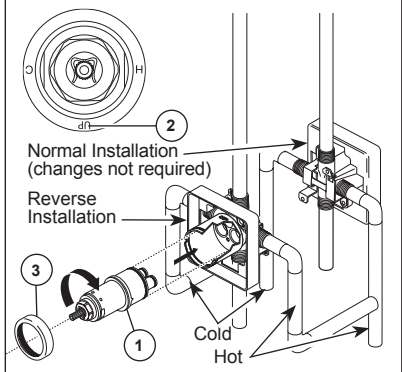


Rotate the cartridge (1) so the word "UP" (2) appears on the top. Insert cartridge into valve body as shown. Make sure the cartridge tubes and O-rings (3) are properly seated in holes at the base of the body. Ensure the keys on the body are fully engaged with the slots in the body (4).



Slide bonnet nut (1) over the cartridge and thread onto the body. Hand tighten securely.

## Back to back Installation



For back to back or reverse installations (hot on right and cold on left): Rotate cartridge (1) so the word "UP" (2) appears on the bottom. Install the cartridge making sure that the keys are fully engaged with the slots in the brass body (see step B). Slide bonnet nut (3) over the cartridge and thread onto the body. Hand tighten securely.

## 60 Series Installation

# 2

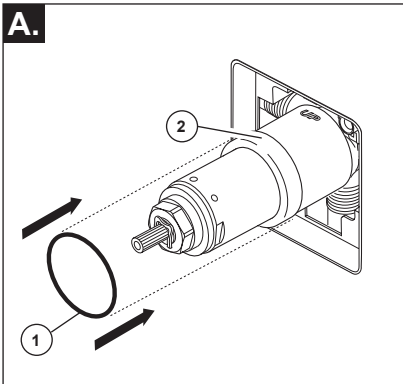
### Shower head and Tub Spout Installation

(For shower head and tub spout installation refer to the installation guides provided with your shower head and tub spout)

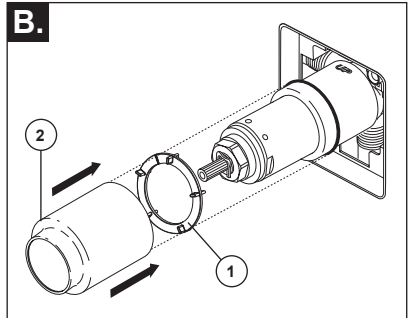
# 3

### Valve Trim Installation

(See page 6 & 7 for Siderna® valve trim installation.)



Slide O-ring (1) over cartridge and the bonnet nut (2). The O-ring, which acts as a spacer to steady the sleeve, should rest behind the bonnet nut.

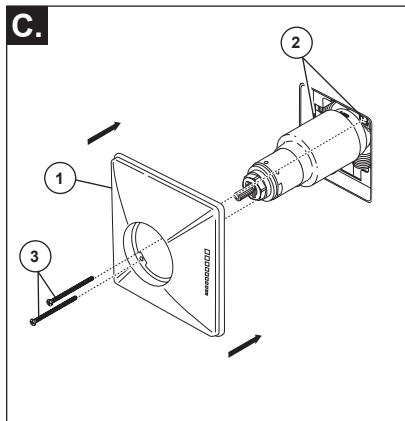


If your model requires a spacer (1), install it into sleeve (2). Slide the sleeve over the cartridge, body and O-ring. Ensure sleeve is properly positioned over the front of cartridge. **Note:** RSVP® models (series T60X90) do not require spacer (1).

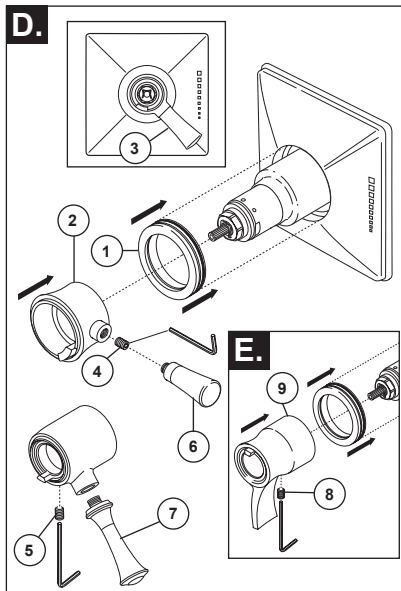
## 3

### Valve Trim Installation

(See page 6 & 7 for Siderna® valve trim installation.)



Secure the escutcheon (1) to the bracket (2) with the 2 screws provided (3). Do not overtighten escutcheon screws.



Slide trim ring (1) over the cartridge and sleeve and into the escutcheon. Install volume control handle base (2) with lever to the right as shown (3). Install set screw (4) or (5) followed by the handle lever (6) or (7).

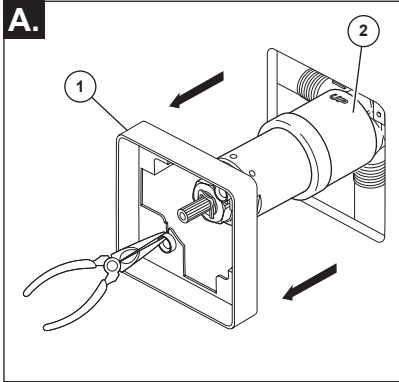
### E.

For RSVP®, Sotria™, Charlotte®, Virage® & Rook™ models, lever should point downward to 6 o'clock position. Install set screw (8) into handle (9). Push handle onto valve cartridge and tighten set screw to secure handle.

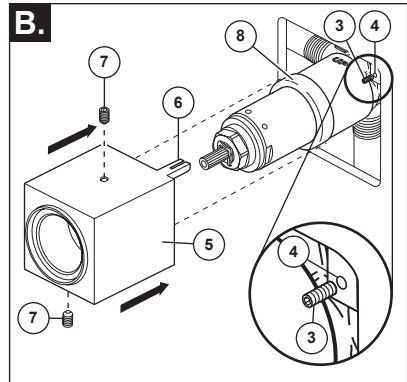
## 60 Series Installation

### Siderna® Valve Trim Installation (T60080, T60280 & T60480)

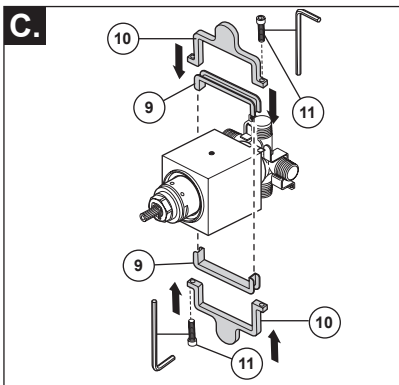
# 3



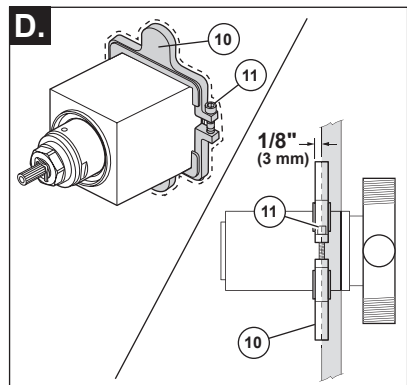
Remove plaster guard (1) from rough (2).



Using supplied Allen wrench, install both anti-rotational pins (3) into holes (4) in the valve body. **USE CARE TO NOT DROP PINS BEHIND THE WALL.** It is important that the rough be mounted in the wall as level as possible because of the square shape of this product. Slide trim sleeve (5) over the cartridge and bonnet aligning the two legs (6) of the sleeve over the anti-rotational pins (3). If the trim is not square, you can try removing a pin and holding the sleeve secure with the two set screws (7) provided. Make sure the sleeve is pushed all the way back so the legs of the sleeve rest against the valve body. The set screws (7) should be in a position where they hit just behind the bonnet nut (8). Tighten set screws (7).



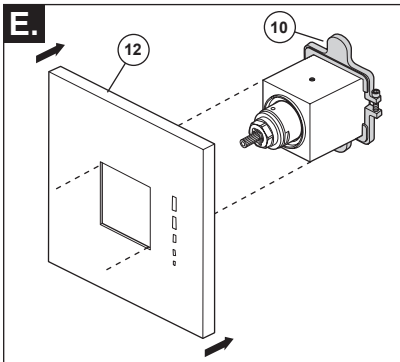
Assemble the two mounting sleeves (9) and two mounting plates (10). Slide the mounting plate assemblies over the trim sleeve so that the tabs/plates (10) are at the top and bottom of the trim sleeve, as shown. Thread screws (11) into mounting plates just enough to assemble the two sides together. Slide the mounting plates back against the wall and finish tightening the screws (11).



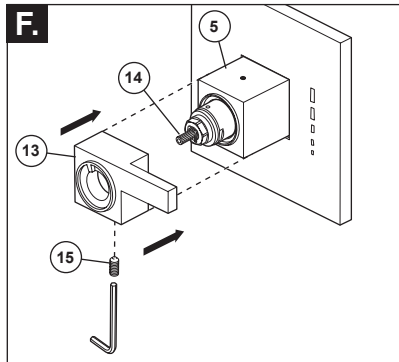
Using the mounting plates (10) as a guide, enlarge hole around rough so that plates can be pushed up to 1/8" into the wall. Tighten screws (11).

## 3

### Siderna® Valve Trim Installation (T60080, T60280 & T60480)



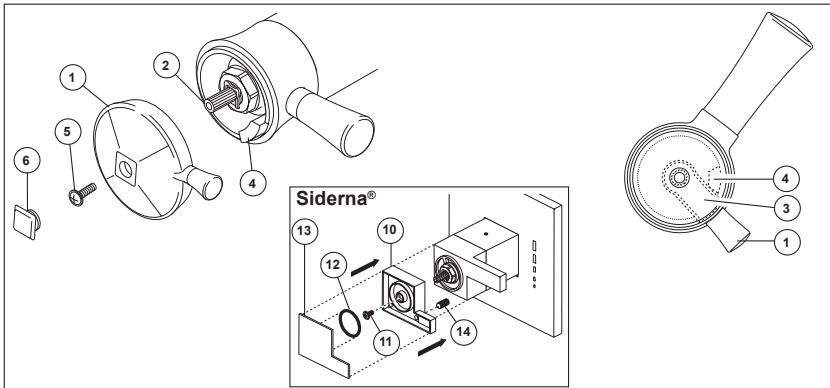
Place the center hole of the escutcheon (12) over the trim sleeve and carefully push it back to the mounting plates (10). Magnets on the back of the escutcheon will keep it in place.



Place volume control handle (13) over valve stem (5) and onto the trim sleeve (5). Lever should point horizontally to 3 o'clock position. Secure handle with set screw (15).

## 4

### Installation and Adjustment of the Temperature Knob Failure to do so may cause injury.



**Adjust temperature limit stop!** Turn on water supplies; let the water run at both full hot and full cold to ensure the water is running as hot/cold as possible. Place a thermometer in a plastic tumbler, and hold the tumbler in the water stream. Place the temperature knob (1) onto the splines (2), then rotate the temperature knob counter-clockwise until you achieve your maximum desired temperature from the outlet (not more than 120° or the lower temperature mandated by your local plumbing code).

If max temperature is not achieved before limit stop (3) on temperature knob (1) meets the limit stop (4) on the volume control handle. Remove the temperature control knob (1) from splines (2). Rotate temperature control knob (1) clockwise. Place temperature control

knob (1) back onto splines (2) and continue to rotate counter-clockwise until maximum desired temperature is achieved. Remove the temperature knob (1) and replace onto the splines (2), making sure that the temperature knob limit stop (3) hits against the volume handle limit stop (4) as shown. Secure the temperature knob using screw (5) and place cap (6) on knob.

**For Siderna® (series T60X80) models**, place temperature handle (knob) (10) onto valve stem and secure with screw (11). Ensure O-ring (12) is assembled on handle cap (13). Install handle cap by pressing it into place on top of the temperature handle (10). Secure cap by tightening screw (14) from the underside of the handle.

## 60 Series Maintenance

### Cannot receive more than a trickle of water:

Both hot and cold supply lines must be pressurized. If only one side is pressurized, the system will not allow adequate flow of water.

**Faucet leaks from showerhead:** Remove the showerhead then turn the water on and off to verify if the cartridge is leaking or the showerhead is draining slowly (the showerhead may need to be cleaned if water drains slowly).

**If leak persists -SHUT OFF WATER SUPPLIES**  
Replace cartridge assembly - RP47201.

### Unable to set or maintain mixed water temperature:

SHUT OFF WATER SUPPLIES. Remove handle assembly, trim sleeve, and bonnet nut. Check to make sure the "H" marking on the cartridge aligns with the hot inlet and the "C" marking on the cartridge aligns with the cold inlet to the valve body. The thermostatic cartridge cannot function if hot and cold inlets are reversed.

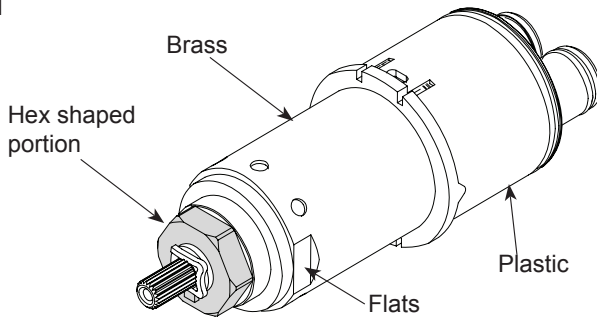
### Low flow:

Low flow may be caused by clogged screens within the thermostatic cartridge. To clean the hot and cold screens in the cartridge, follow the steps below:

1. SHUT OFF WATER SUPPLIES.
2. Remove the handle assembly.
3. Unscrew the hex shaped portion of the cartridge from the brass section of the cartridge. The brass section must be held securely by the flats while the hex is rotated counter-clockwise. Failure to secure the brass section while rotating the hex can result in damage to the cartridge. (See illustration below)
4. Carefully clean any debris from the screens under running water. If the debris is difficult to remove then soak the screens overnight in a 50% water and 50% vinegar solution.
5. Reassemble the cartridge.
6. Replace the handle.
7. Turn the water back on.
8. Reset the limit stop before using the valve.

## Cartridge Summary Reference Sheet

17T



**Order RP47201 to  
Replace Cartridge.**



T600 \_\_\_\_\_  
T602 \_\_\_\_\_  
T604 \_\_\_\_\_

60 Serie

Escriba aquí el número del modelo comprado.

Para instalación fácil de su llave Brizo® usted necesitará:

- LEER TODAS las instrucciones completamente antes de empezar
- LEER TODOS los avisos, cuidados, e información de mantenimiento.

### Usted puede necesitar



### Contenido:

Garantía .....	Página 2
Instrucciones de Instalación.....	Páginas 3 - 8
Mantenimiento.....	Página 8
Piezas de Repuesto.....	Páginas 9-19

**ADVERTENCIA:** El instalador debe apostar este sistema/divisa para garantizar temperatura máximo y seguro. Cualquier cambio en el ajuste puede subir la temperatura del agua de descarga sobre el límite considerado seguro y puede resultar en quemaduras de agua caliente.

**AVISO PARA EL INSTALADOR: PRECAUCIÓN** – Como instalador de esta válvula, es su responsabilidad de **INSTALAR Y AJUSTAR** apropiadamente esta válvula como se describe en las instrucciones, por lo tanto, debe haber una persona para hacer los ajustes necesarios del pomo para la temperatura en el momento que se haga la instalación y pueda necesitar ajustes adicionales por los cambios estacionales de la temperatura del agua. **USTED DEBE** informarle al dueño/usuario sobre este requisito siguiendo las instrucciones. Si usted o el dueño/usuario no están seguros como hacer estos ajustes apropiadamente, **por favor refiérase al Página 7** y si todavía no está seguro, llámenos al **1-877-345-BRIZO (2749)**.

Después de hacer la instalación y el ajuste, usted puede agregarle a la etiqueta de aviso proporcionada, su nombre, el nombre de la compañía y la fecha cuando ajustó y el pomo para la temperatura y aplicar o fijar la etiqueta al dorso de la puerta del gabinete más cercano y la etiqueta

de aviso al calentador de agua. Deje la Hoja de Instrucciones para referencia del dueño/usuario.

**ADVERTENCIA:** Esta válvula termostática está diseñada para minimizar los efectos de los cambios de temperatura de agua por causa de los cambios de presión y de temperatura en el agua de entrada, comúnmente causados por lavadoras de platos, lavadoras de ropa, inodoros, y otros aparatos por el estilo. Puede no proporcionar protección de quemaduras de agua caliente cuando hay alguna falla de otros aparatos para el control de temperatura en otro sitio en el sistema de plomería. También no proporcionará protección si el pomo para el ajuste de la temperatura no está apropiadamente fijo o si cambia la temperatura del agua caliente después de hacer los ajustes o si los cambios del agua de entrada son por los cambios estacionales.

**ADVERTENCIA:** No instale un aparato de corte o cierre en cualquiera de las tomas de esta válvula. Cuando este tipo de aparato cierra el flujo de agua, puede hacer fallar la habilidad de la válvula de balancear las presiones del agua caliente y fría.

## Garantía Limitada de las Llaves de Agua (grifos) Brizo®

### Piezas y acabado

Todas las piezas (excepto las piezas electrónicas y las pilas) y los acabados de esta llave de agua Brizo® están garantizados al consumidor comprador original de estar libres de defectos en material y fabricación durante el tiempo que el comprador original posea la vivienda en la que la llave de agua fue originalmente instalada o, para los consumidores comerciales, durante 5 años a partir de la fecha de compra.

### Componentes electrónicos y pilas (si aplicable)

Todas las piezas (salvo las pilas), si hay, de esta llave de agua Brizo® están garantizadas al consumidor comprador original de estar libres de defectos en materiales y fabricación durante 5 años a partir de la fecha de compra o, para los usuarios comerciales, por un año a partir de la fecha de compra. No se garantizan las pilas.

Brizo Kitchen & Bath Company reemplazará, SIN CARGO, durante el período de garantía aplicable, cualquier pieza o acabado que pruebe tener defectos de material y/o fabricación bajo la instalación, uso y servicio normal. Si la reparación o su reemplazo no es práctico, Brizo Kitchen & Bath Company tiene la opción de reembolsarle su dinero por la cantidad del precio de compra a cambio de la devolución del producto. **Estos son sus únicos recursos.**

Brizo Kitchen & Bath Company recomienda que use los servicios de un plomero profesional para todas las instalaciones y reparaciones. También le recomendamos que utilice sólo las piezas de repuesto originales de Brizo®.

Brizo Kitchen & Bath Company no será responsable por cualquier daño a la llave de agua que resulte del mal uso, abuso, negligencia o mala instalación o mantenimiento o reparación incorrecta, incluyendo el no seguir los cuidados aplicables y las instrucciones de limpieza.

Las piezas de repuesto se pueden obtener llamando al número correspondiente más abajo, o escribiendo a:

#### En los Estados Unidos y México:

Brizo Kitchen & Bath Company  
Product Service  
55 E. 111th Street  
Indianapolis, IN 46280  
1-877-345-BRIZO (2749)  
brizosupport@brizo.com

#### En Canadá:

Masco Canada Limited, Plumbing Group  
Technical Service Centre  
350 South Edgeware Road  
St. Thomas, Ontario, Canada N5P 4L1  
1-877-345-BRIZO (2749)  
customerservice@mascocanada.com

La prueba de compra (recibo original) del comprador original debe ser disponible a Brizo Kitchen & Bath Company para todos los reclamos a menos que el comprador haya registrado el producto con Brizo Kitchen & Bath Company. Esta garantía le aplica sólo a las llaves de agua de Brizo® fabricadas después del 1 de enero 1995 e instaladas en los Estados Unidos de América, Canadá y México.

BRIZO KITCHEN & BATH COMPANY NO SE HACE RESPONSABLE POR CUALQUIER DAÑO ESPECIAL, INCIDENTAL O CONSECUENTE (INCLUYENDO LOS GASTOS DE MANO DE OBRA) POR EL INCUMPLIMIENTO DE CUALQUIER GARANTÍA EXPRESA O IMPLÍCITA DE LA LLAVE DE AGUA. Algunos estados/provincias no permiten la exclusión o limitación de daños especiales, incidentales o consecuentes, por lo que estas limitaciones y exclusiones pueden no aplicarle a usted. Esta garantía le otorga derechos legales. Usted también puede tener otros derechos que varían de estado/provincia a estado/provincia.

Esta es la garantía exclusiva por escrito de Brizo Kitchen & Bath Company y la garantía no es transferible.

Si usted tiene alguna pregunta o inquietud acerca de nuestra garantía, por favor, vea nuestra sección de preguntas frecuentes FAQ sobre la garantía en [www.brizo.com](http://www.brizo.com), también puede enviarnos un correo electrónico a [brizosupport@brizo.com](mailto:brizosupport@brizo.com) o llámenos al número que le corresponda anteriormente incluido.

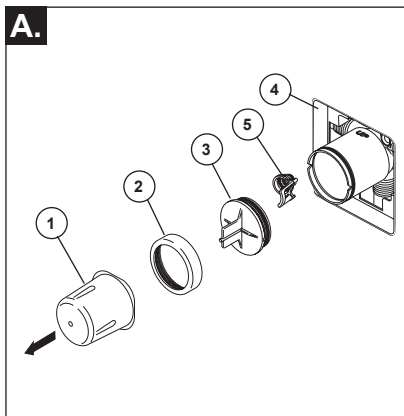
## Limpeza y Cuidado de su Llave

Tenga cuidado al ir a limpiar este producto. Aunque su acabado es sumamente durable, puede ser afectado por agentes de limpieza o para pulir abrasivos. Para limpiar

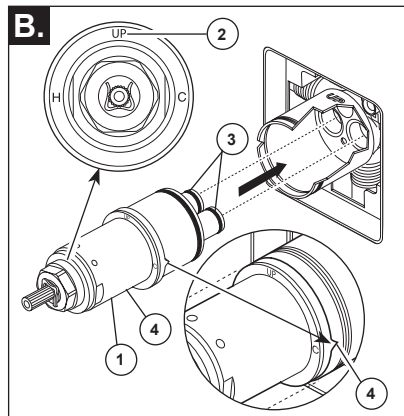
su llave, simplemente frótelas con un trapo húmedo y luego séquelas con una toalla suave.

## 1

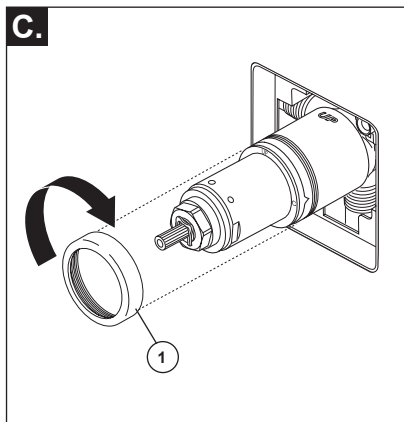
### Instalación del Cartucho



**Cierre los suministros de agua.** Quite la cubierta (1), la tuerca tapa (2) y la tapa de prueba (3). Si no es para instalar en pared delgada, puede quitar el protector (4) de yeso completo. Si la pantalla (5) está en lugar, quite antes de instalar el cartucho.

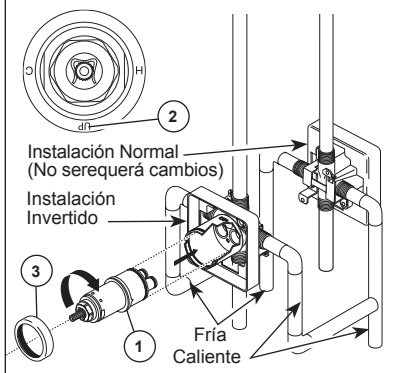


Gire el cartucho (1) de manera que la palabra "UP" (2) aparezca encima. Introduzca el cartucho en el cuerpo de la válvula como se muestra. Asegúrese que los tubos del cartucho y los aros O (3) estén debidamente sentados en los agujeros en la base del cuerpo. Asegúrese que los dentados estén completamente encajados en las muescas del cuerpo (4).



Deslice la tuerca tapa (1) sobre el cartucho y enrosque en el cuerpo de la válvula. Apriete a mano bien.

### Instalación de Espalda a Espalda



En las instalaciones dorso con dorso (el agua caliente en la derecha y la fría en la izquierda): Gire el cartucho (1) así que la palabra "UP" de (2) aparece en el fondo. Instale el cartucho asegurándose que los dentados estén completamente enganchados en las muescas en el cuerpo de bronce (vea la página B). Deslice la tuerca tapa (3) sobre el cartucho y enrosque en el cuerpo de la válvula. Apriete a mano bien.

## Instalación de la Serie 60

# 2

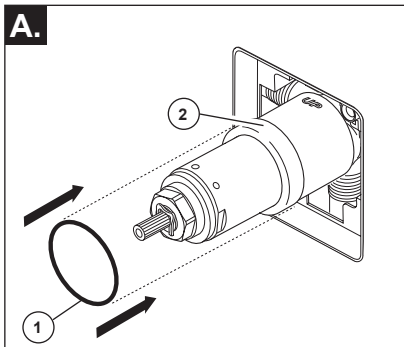
### Instalación de la cabeza de la regadera y del surtidor de la bañera

(Para la instalación del cabezal de ducha y del tubo de la bañera, consulte las guías de instalación provistas con el cabezal de la ducha y el pico de la bañera)

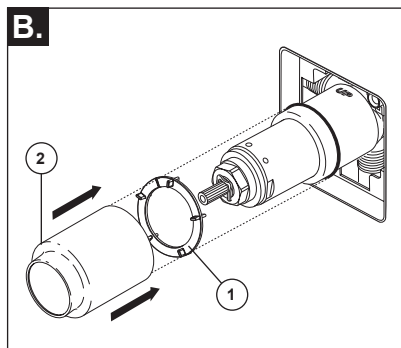
# 3

### Instalación Final

(Para la instalación del accesorio de la válvula Siderna®, ver las páginas 6 y 7)



Deslice el aro O (1) sobre el cartucho y la tuerca tapa (2). El aro O, el cual funciona como un separador para estabilizar la manga, debe quedar apoyado en la tuerca tapa.

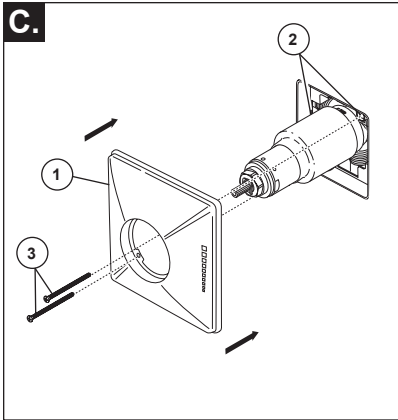


Si su modelo requiere un separador (1), insértelo en la manga (2). Deslice la manga sobre el cartucho, el cuerpo de la pieza y el aro O. Asegure la cubierta de ajuste se coloca correctamente sobre el frente del cartucho de la ducha. **Nota:** Los modelos RSVP® (series T60X90) no requieren un separador (1).

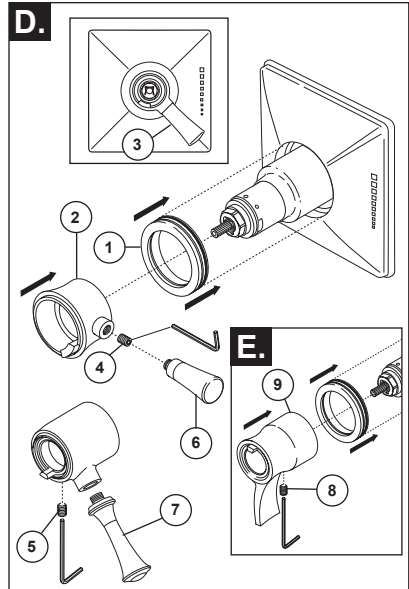
## 3

### Instalación Final

(Para la instalación del accesorio de la válvula Siderna®, ver las páginas 6 y 7)



Fije la roseta con orificio (1) al soporte (2) usando los 2 tornillos suministrados (3). No apriete demasiado los tornillos de la roseta.



Resbale el excedente del anillo del ajuste (1) el cartucho y la manga y dentro del escudo. Instale la base de la manija de control de volumen (2) con la maneta palanca a la derecha como (3) demostrado. Instale el tornillo de presión (4) o (5) seguido por la palanca de la manija (6) o (7).  
**Para los modelos RSVP®, Sotria™, Charlotte®,**

### E.

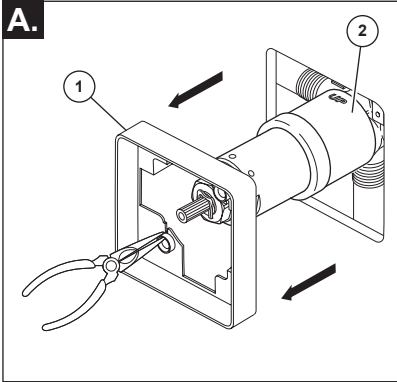
**Para los modelos RSVP®, Sotria™, Charlotte®, Virage® y Rook™,** la palanca debe estar señalando hacia abajo a la posición de la 6 en el reloj. Instale el tornillo de ajuste (8) en la manija (9). Empuje la manija en el cartucho y apriete el tornillo de ajuste para fijar la manija.

# Instalación de la Serie 60

## 3

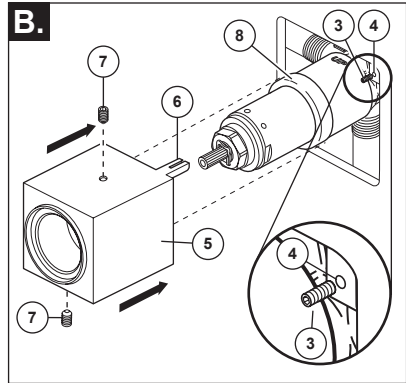
### Instalación Final Para Siderna® (T60080, T60280 & T60480)

#### A.



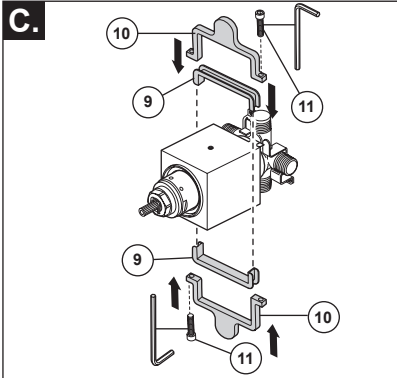
Retire el protector de yeso (1) de la plomería preliminar (2).

#### B.



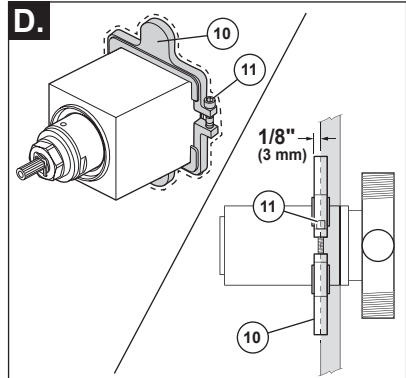
Utilizando la llave Allen suministrada, instale ambos pernetes anti-rotacionales (3) en los agujeros (4) en el cuerpo de la válvula. **Tenga cuidado de no dejar caer los pernetes detrás de la pared.** Es importante que la plomería preliminar se instale en la pared lo más nivelada posible debido a la forma cuadrada de este producto. Deslice el mango de ajuste (5) sobre el cartucho y la tapa alineadas con las dos patas (3). Si el ajuste no encuadra, puede intentar quitar un pernete y fijar el mango bien con los dos tornillos de ajuste (7) proporcionados. Asegúrese de que el mango están presionado hasta el fondo de manera que las piernas del mango queden contra el cuerpo de la válvula. Los tornillos de fijación (7) deben estar en una posición en la que queden justo detrás de la tuerca tapa (8). Apriete los tornillos de fijación (7).

#### C.



Ensamble los casquillos de instalación (9) y dos chapas de placa de instalación (10). Deslice los conjuntos de placa de montaje sobre el manguito de ajuste de modo que las lengüetas / placas (10) están en la parte superior y abajo de la manga del accesorio, como se muestra. Enrosque los tornillos (11) en las chapas de instalación lo suficiente para ensamblar juntos los dos costados. Deslice las chapas de instalación hacia atrás, contra la pared, y termine de apretar los tornillos (11).

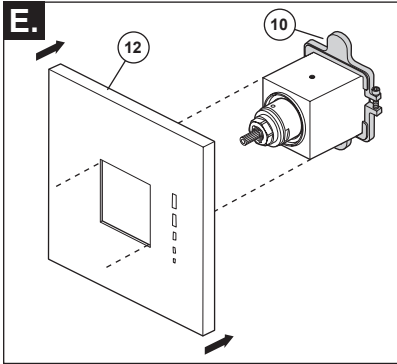
#### D.



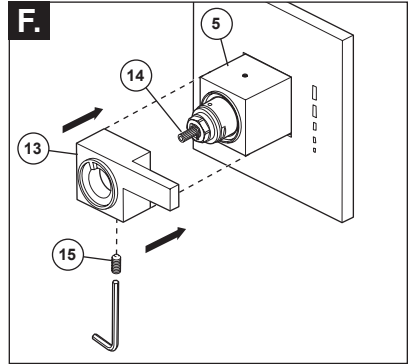
Usando las placas de montaje (10) como guía, agrande el agujero alrededor de la plomería preliminar, de manera que las placas pueden ser presionadas hacia arriba hasta 1/8" en la pared. Apriete los tornillos (11).

## 3

### Instalación del accesorio de la válvula Siderna® (T60080, T60280 & T60480)



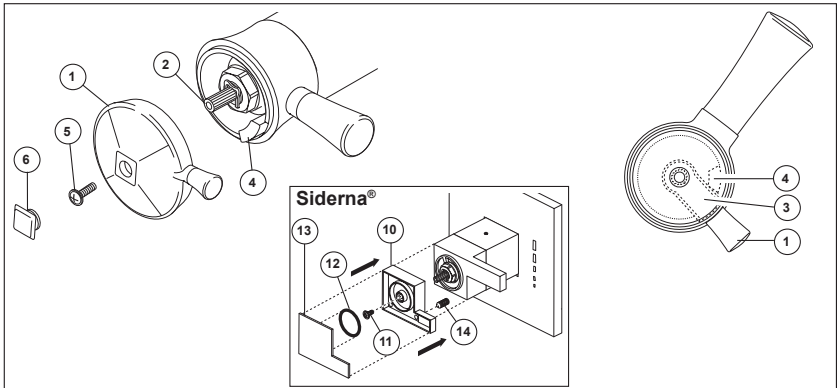
Coloque el orificio central del chapetón (12) sobre el casquillo del accesorio y cuidadosamente empuje de nuevo hasta las chapas de instalación (10). Los imanes en la parte posterior del chapetón lo mantendrá en su lugar.



Coloque la manija del control del volumen (13) sobre el vástago de válvula (14) y sobre la manga del ajuste (5). La palanca debe señalar a la posición horizontal de las 3 en el reloj. Asegure la manija con el tornillo de presión (15).

## 4

### Instalación y Ajuste del Pomo de Temperatura El no hacerlo puede causar lesión.



**Ajuste el tope del límite de temperatura!** Abra los suministros de agua; deje que corra el agua caliente y fría totalmente abierta para asegurar que el agua está fluyendo lo más caliente/fría posible. Coloque un termómetro en un vaso plástico, y sostenga el vaso bajo un chorro de agua. Coloque la perilla de temperatura (1) en las ranuras (2), luego gire la perilla de temperatura hasta que logre su temperatura máxima deseada de salida (no más de 120° ó la temperatura más baja autorizada por su código local de plomería).

Si la temperatura máxima no se alcanza antes de llegar al tope del límite (3) en el control de la temperatura (1) donde tropieza con el tope del límite rotacional (4) en la manija del control de volumen. Retire la perilla del control de temperatura (1) de las ranuras (2). Gire la perilla del control de temperatura (1) hacia la derecha. Coloque la perilla del control de

temperatura (1) otra vez en las ranuras (2) y continúe girando hacia la izquierda hasta que alcanza la temperatura máxima deseada. Quite el pomo de la temperatura (1) y colóquela otra vez en las ranuras (2), asegurándose que el pomo del tope del límite de la temperatura (3) pegue contra la manija del tope del límite del volumen (4) como se muestra. Fije el pomo de la temperatura usando un tornillo (5) y coloque la tapa (6) en el pomo.

**Para los modelos de Siderna® (serie T60X80),** coloque la manija de la temperatura perilla (10) sobre vástago de válvula y asegure con el tornillo (11). Asegúrese que el anillo o (12) esté montado en el casquillo de la manija (13). Instale el casquillo de la manija presionándolo en lugar encima de la manija de la temperatura (10). Fije la tapa apretando el tornillo (14) desde la parte inferior de la manija.

## Mantenimiento de la Serie 60

**No puede recibir más de fino chorro de agua:** ambas líneas de suministro, caliente y fría, deben estar presurizadas. Si se presuriza solamente un lado, el sistema no permitirá que salga un flujo adecuado de agua.

**La llave tiene filtraciones/fugas de agua desde la regadera:** Retire la cabeza de la regadera y luego abra y cierre el agua para verificar si el cartucho tiene una fuga o la regadera se está drenando lentamente (la cabeza de la regadera puede requerir limpieza si el agua se drena lentamente).

**Si persiste la fuga – CIERRE LOS SUMINISTROS DE AGUA** Reemplace del ensamble del cartucho - RP47201.

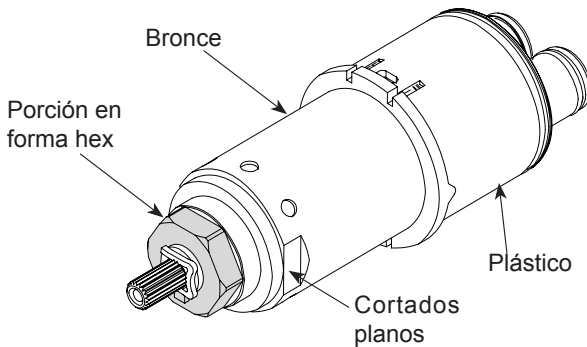
**No se puede establecer o mantener la temperatura del agua mixta:**  
CIERRE LOS SUMINISTROS DE AGUA. Retire el ensamble de la manija, el casquillo del accesorio, y la tuerca tapa. Examine para asegurarse de que la marca "H" en el cartucho está en línea con la entrada de agua caliente y la marca "C" en el cartucho se alinea con la entrada de agua fría al cuerpo de la válvula. La válvula termostática de cartucho no puede funcionar si las entradas de agua caliente y fría se invierten.

**Flujo bajo:** el flujo bajo puede ser por causa de obstrucciones en los filtros dentro del cartucho termostático. Para limpiar las rejillas o filtros del agua caliente y fría en el cartucho, siga los siguientes pasos:

1. CIERRE LOS SUMINISTROS DE AGUA.
2. Retire el ensamble de la manija.
3. Desatornille la porción en forma hexagonal del cartucho de la sección de bronce del cartucho. La sección de bronce debe mantenerse fija por los cortados planos mientras que la sección hexagonal se gira hacia la izquierda. Si no fija la sección de bronce mientras que gira la parte hexagonal puede resultar en daño al cartucho.  
(Vea la ilustración a continuación)
4. Limpie cuidadosamente los residuos de los filtros bajo el chorro de agua. Si los residuos son difíciles de eliminar, entonces deje los filtros remojando durante la noche en una solución del 50% de agua y 50% de vinagre.
5. Vuelva a ensamblar el cartucho.
6. Vuelva a colocar la manija.
7. Abra el flujo de agua otra vez.
8. Restablezca el tope del límite antes de utilizar la válvula.

## Hoja de resumen de referencia del cartucho

17T



**Ordene el Repuesto RP47201  
para cambiar el cartucho.**



T600 \_\_\_  
T602 \_\_\_  
T604 \_\_\_

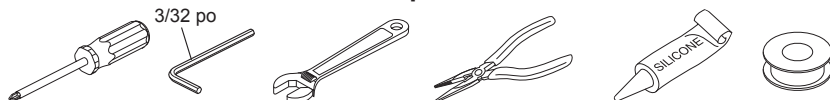
60 Série

Inscrivez le numéro de modèle ici.

Pour installer votre robinet Brizo® facilement, vous devez:

- LIRE TOUTES les instructions avant de débiter.
- LIRE TOUS les avertissements ainsi que toutes les instructions de nettoyage et d'entretien.

### Articles dont vous pouvez avoir besoin:



### Table des matières

Garantie .....	Page 2
Instructions d'installation .....	Pages 3 - 8
Maintenance .....	Page 8
Pièces de rechange .....	Pages 9-19

**ATTENTION:** L'installateur doit régler l'appareil pour que la température maximale de l'eau chaude soit sans danger. Toute modification des réglages peut entraîner une élévation de la température à la sortie du robinet au delà de la température sans danger et pourrait causer un échaudage.

**AVIS À L'INSTALLATEUR : ATTENTION!** – En qualité d'installateur, vous êtes tenu d'INSTALLER et de RÉGLER ce robinet conformément aux instructions. Ce robinet ne s'adapte pas automatiquement aux fluctuations de la température de l'eau d'alimentation. Par conséquent, il faut régler le bouton de température au moment de l'installation et il peut être nécessaire de faire de nouveaux réglages par la suite en raison des fluctuations saisonnières de la température de l'eau. **VOUS DEVEZ informer le propriétaire ou l'utilisateur de cette exigence.** En cas de doute quant à la marche à suivre pour faire ces réglages, veuillez consulter page 7 si un doute persiste, et si cette incertitude persiste, appelez-nous au 1-877-345-BRIZO (2749).

Après avoir terminé l'installation et le réglage, vous devez inscrire, sur l'étiquette de mise en garde fournie, votre nom, le nom de votre entreprise et la date à laquelle vous avez réglé le bouton de température, puis fixer l'étiquette à l'endos de la porte de la coiffeuse. Vous devez également fixer

l'étiquette d'avertissement au chauffe-eau. **Veillez laisser ce feuillet d'instructions au propriétaire ou à l'utilisateur pour qu'il puisse le consulter au besoin.**

**MISE EN GARDE – Ce robinet thermostatique pour baignoire est conçu pour limiter les effets des fluctuations de température de l'eau causées par les variations de la pression et la température attribuables au fonctionnement d'un lave-vaisselle, d'une machine à laver, d'un cabinet d'aisances ou d'un autre appareil qui consomme de l'eau. Il peut ne pas protéger l'utilisateur contre l'échaudage en cas de défaillance d'un autre dispositif de régulation de la température, si de haute température ou du bouton de température est mauvais, si la température de l'eau chaude a été modifiée après que les réglages ont été effectués ou si la température de l'eau d'alimentation a changé en raison du changement de saison.**

**MISE EN GARDE – N'installez pas de dispositif d'arrêt sur une sortie quelconque de ce robinet. En interrompant l'écoulement de l'eau, ce dispositif peut empêcher le robinet d'équilibrer les pressions d'eau chaude et d'eau froide.**

## Garantie limitée des robinets Brizo®

### Pièces et finis

Toutes les pièces (à l'exception des composants électroniques et des piles) et tous les finis de ce robinet Brizo® sont protégés contre les défauts du matériau et les vices de fabrication par une garantie qui est consentie au premier acheteur et qui demeure valide tant que celui-ci demeure propriétaire de la maison dans laquelle le robinet a été installé. Dans le cas d'une utilisation commerciale, la garantie est de 5 ans à compter de la date d'achat.

### Composants électroniques et piles (le cas échéant)

Si ce robinet Brizo® comporte des composants électroniques, ces composants (à l'exception des piles) sont protégés contre les défauts du matériau et les vices de fabrication par une garantie consentie au premier acheteur qui est d'une durée de 5 ans à compter de la date d'achat. Dans le cas d'une utilisation commerciale, la garantie est d'un an à compter de la date d'achat. Aucune garantie ne couvre les piles.

Brizo Kitchen & Bath Company remplacera, GRATUITEMENT, pendant la période de garantie applicable, toute pièce ou tout fini qui présentera une défectuosité du matériau et/ou un vice de fabrication pour autant que le robinet ait été installé, utilisé et entretenu normalement. S'il est impossible de réparer ou de remplacer le robinet, Brizo Kitchen & Bath Company pourra décider de rembourser le prix d'achat du produit pour autant que celui-ci lui soit retourné. **Il s'agit de vos seuls recours.**

Brizo Kitchen & Bath Company recommande de confier l'installation et la réparation à un plombier professionnel. Nous vous recommandons également d'utiliser uniquement des pièces de rechange authentiques Brizo®.

Brizo Kitchen & Bath Company se dégage de toute responsabilité à l'égard des dommages causés au robinet en raison d'un mauvais usage, d'un usage abusif, de la négligence ou de l'utilisation d'une méthode d'installation, de maintenance ou de réparation incorrecte ou inadéquate, y compris les dommages résultant du non-respect des instructions de nettoyage et d'entretien applicables.

Pour obtenir des pièces de rechange, veuillez appeler au numéro applicable ci-dessous ou écrire à l'adresse applicable ci-dessous.

#### Aux États-Unis et au Mexique :

Brizo Kitchen & Bath Company  
Product Service  
55 E. 111th Street  
Indianapolis, IN 46280  
1-877-345-BRIZO (2749)  
brizosupport@brizo.com

#### Au Canada:

Masco Canada Limited, Plumbing Group  
Technical Service Centre  
350 South Edgeware Road  
St. Thomas, Ontario, Canada N5P 4L1  
1-877-345-BRIZO (2749)  
customerservice@mascocanada.com

La preuve d'achat (reçu original) du premier acheteur doit être présentée à Brizo Kitchen & Bath Company pour toutes les demandes en vertu de la garantie, sauf si le produit a été enregistré auprès de Brizo Kitchen & Bath Company. La présente garantie s'applique uniquement aux robinets Brizo® fabriqués après le 1er janvier 1995 et installés aux États-Unis d'Amérique, au Canada et au Mexique.

BRIZO KITCHEN & BATH COMPANY SE DÉGAGE DE TOUTE RESPONSABILITÉ À L'ÉGARD DES DOMMAGES PARTICULIERS, CONSÉCUTIFS OU INDIRECTS (Y COMPRIS LES FRAIS DE MAIN-D'OEUVRE) QUI POURRAIENT RÉSULTER DE LA VIOLATION D'UNE GARANTIE IMPLICITE OU EXPLICITE QUELCONQUE SUR LE ROBINET. Dans les États ou les provinces où il est interdit de limiter ou d'exclure la responsabilité à l'égard des dommages particuliers, consécutifs ou indirects, les limites et les exclusions susmentionnées ne s'appliquent pas. La présente garantie vous donne des droits précis qui peuvent varier selon l'État ou la province où vous résidez.

La présente garantie écrite est la garantie exclusive offerte par Brizo Kitchen & Bath Company et elle n'est pas transférable.

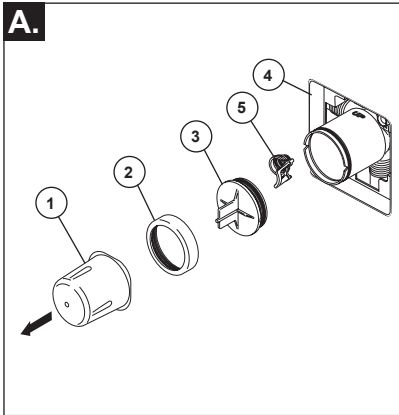
Si vous avez des questions ou des préoccupations en ce qui concerne notre garantie, veuillez consulter la page Warranty FAQs à [www.brizo.com](http://www.brizo.com), faire parvenir un courriel à [brizosupport@brizo.com](mailto:brizosupport@brizo.com) ou nous appeler au numéro applicable.

## Instructions de nettoyage

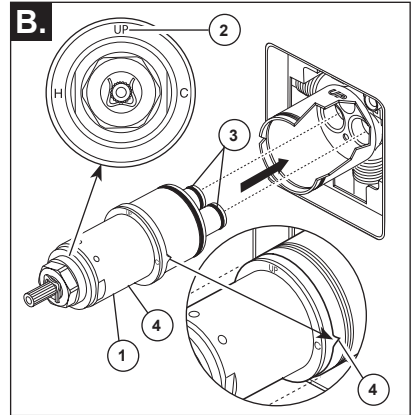
Il faut le nettoyer avec soin. Même si son fini est extrêmement durable, il peut être abîmé par des produits fortement abrasifs ou des produits de polissage. Il faut

simplement le frotter doucement avec un chiffon humide et le sécher à l'aide d'un chiffon doux.

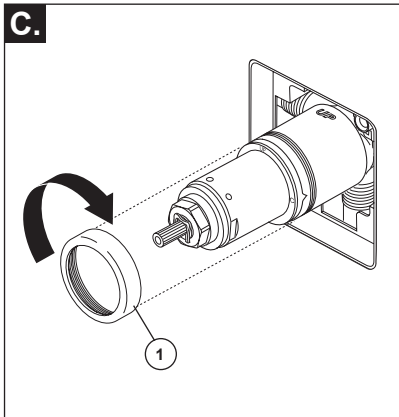
## 1 Installation de la cartouche.



**Interrompez l'arrivée d'eau.** Enlevez le couvercle (1), l'écrou à portée sphérique (2) et le capuchon d'essai (3) du corps. Si vous n'installez pas l'appareil dans une paroi mince, vous pouvez retirer le protecteur (4) complètement. Si l'écran (5) est en place, enlevez avant d'installer la cartouche.

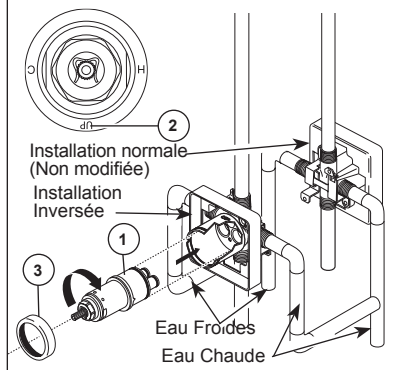


Tournez la cartouche (1) de sorte que le mot « UP » (2) se trouve sur le dessus. Introduisez la cartouche dans le corps de la soupape comme le montre la figure. Assurez-vous que les tubes et les joints toriques (3) sont bien calés dans les orifices à la base du corps. Assurez-vous que les ergots sont parfaitement engagés dans les rainures du corps (4).



Faites glisser l'écrou à portée sphérique (1) sur la cartouche et vissez-le sur le corps. Serrez à la main fermement.

### Installation dos à dos



Dans le cas d'une installation dos à dos ou inversée (eau chaude à droite et eau froide à gauche) : Tournez la cartouche (1) de sorte que le mot « UP » (2) se trouve sur le dessus. Installez la cartouche en vous assurant que les ergots sont introduits entièrement dans les rainures du corps de laiton (reportez-vous à l'étape B). Faites glisser l'écrou à portée sphérique (3) sur la cartouche et vissez-le sur le corps. Serrez à la main fermement.

## Installation – Série 60

# 2

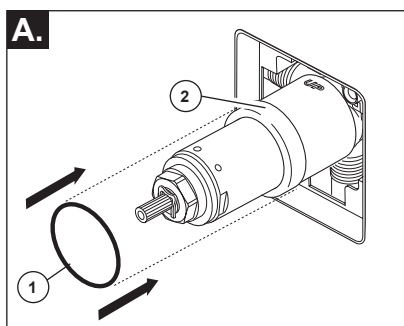
### Installation de la pomme de douche et du bec de baignoire

(Pour l'installation de la tête de douche et du bec verseur, se reporter aux guides d'installation fournis avec votre pomme de douche et votre bec de baignoire)

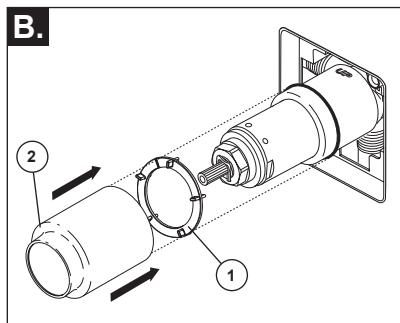
# 3

### Installation des pièces de finition

(Consultez les pages 6 et 7 pour l'installation de la finition du robinet Siderna®.)



Faites glisser le joint torique (1) sur la cartouche et l'écrou à portée sphérique (2). Le joint sert de pièce d'espacement et il stabilise le manchon; il doit se trouver derrière l'écrou à portée sphérique.

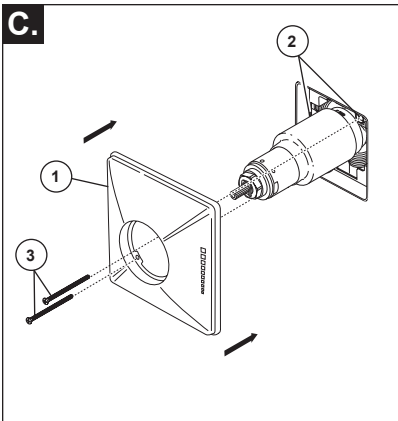


Si le modèle que vous installez nécessite une pièce d'espacement (1), introduisez-la dans le manchon (2). Faites glisser le manchon sur la cartouche, le corps et le joint torique. Assurez la couverture d'équilibre est correctement placé au-dessus de l'avant de la cartouche de douche. **Note :** les modèles RSVP® (série T60X90) n'exigent pas de pièce d'espacement (1).

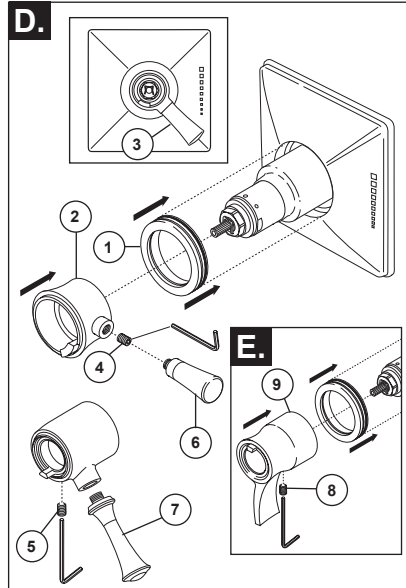
## 3

### Installation des pièces de finition

(Consultez les pages 6 et 7 pour l'installation de la finition du robinet Siderna®.)



Fixez la rosace (1) sur le support (2) à l'aide des 2 vis fournies (3). Prenez garde de serrer les vis de la rosace excessivement.



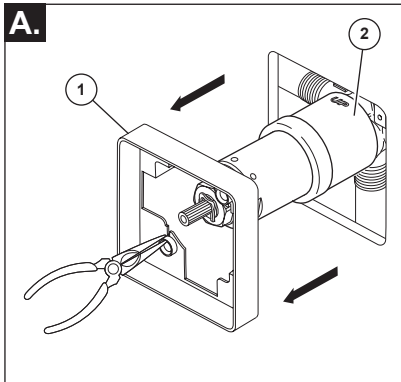
Glissez l'excédent de l'anneau d'équilibre (1) la cartouche et la douille et dans le cache. Installez la base de poignée de commande de volume (2) avec la poignée de levier vers la droite en tant que (3) montré. Installez la vis de réglage (4) ou (5) suivie du levier de poignée (6) ou (7).

**E.** Sur le modèles RSVP®, Sotria<sup>MC</sup>, Charlotte®, Virage® et Rook<sup>MC</sup>, la manette doit être orientée à 6 heures. Installez la vis de calage (8) dans la poignée (9). Poussez la poignée sur la cartouche de la soupape et serrez la vis de calage pour immobiliser la poignée.

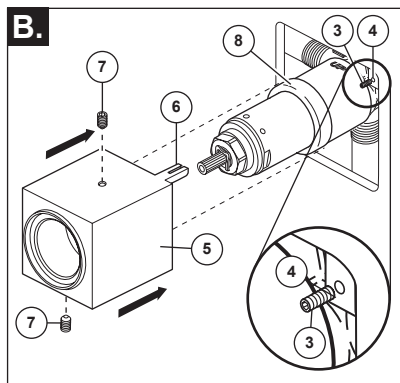
## Installation – Série 60

### 3

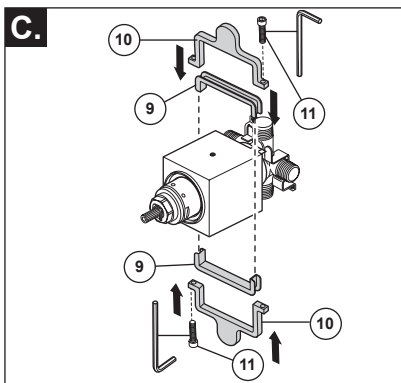
### Installation de la finition du robinet Siderna® (T60080, T60280 & T60480)



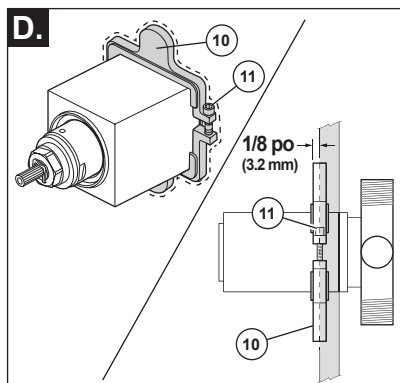
Retirer le protecteur (1) de la plomberie brute (2).



À l'aide de la clé Allen fournie, installez les deux axes anti-rotation (3) dans les trous (4) du corps de soupape. **PRENEZ GARDE DE LAISSER TOMBER LES AXES DERRIÈRE LE MUR.** En raison de la forme carrée de ce produit, il est important que la plomberie brute soit installée de niveau dans le mur. Glissez le manchon de finition (5) sur la cartouche et le chapeau en prenant soin de faire correspondre les deux pattes (6) du manchon avec les axes anti-rotation (3). Si la finition n'est pas d'équerre, vous pouvez essayer d'enlever un axe et de maintenir le manchon fixé avec les deux vis de calage (7) fournies. Assurez-vous que le manchon est reculé à fond de sorte que ses pattes reposent contre le corps de soupape. Les vis de calage (7) doivent être juste en contact avec l'endos de l'écrou-chapeau (8). Serrez les vis de calage (7).



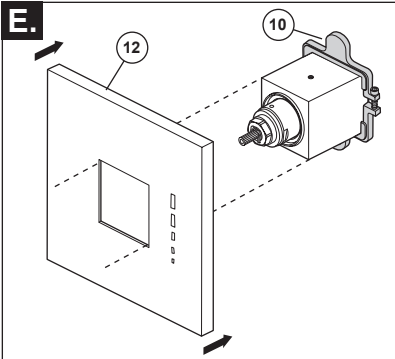
Assemblez les deux manchons (9) et les deux plaques de montage (10). Glissez les ensembles de plaques de montage dans le manchon de garniture de sorte que les pattes / plaques (10) sont en haut et en bas de garniture, comme illustré. Introduisez les vis (11) dans les plaques de montage et serrez-les juste assez pour retenir les 2 côtés ensemble. Remplacez les plaques de montage contre le mur en les faisant glisser et finissez de serrer les vis (11).



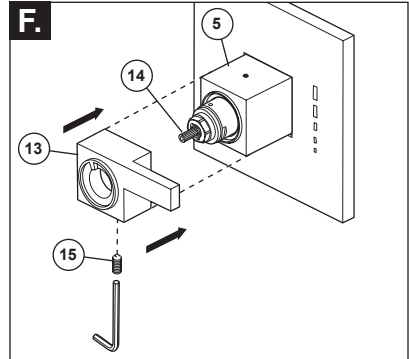
En utilisant les plaques de montage (10) pour vous guider, agrandissez le trou autour de la plomberie brute de sorte que les plaques puissent être enfoncées d'un maximum de 1/8 po dans le mur. Serrez les vis (11).

## 3

### Installation de la finition du robinet Siderna® (T60080, T60280 & T60480)



Placez le trou au centre de la plaque de finition (12) sur le manchon de finition et ramenez celle-ci doucement vers les plaques de montage (10) en la poussant. Les aimants à l'endos de la plaque de finition la maintiendront en place.

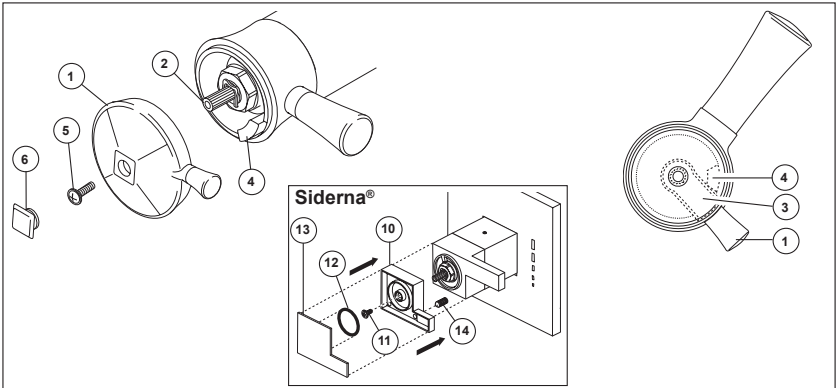


Placez la poignée de contrôle de volume (13) au-dessus de la tige de valve (14) et sur la douille d'équilibre (5). La manette doit être orientée entre l'horizontale et la position 3 heures. Fixez la poignée avec la vis de réglage (15).

## 4

### Installation et réglage du bouton de température

Il y a risque de blessure si le bouton de température n'est pas réglé.



**Réglez la butée limitatrice de température!** Rétablissez l'alimentation en eau. Laissez couler chaude jusqu'à ce qu'elle soit aussi chaude que possible et faites de même pour l'eau froide. Placez un thermomètre dans un gobelet en plastique et tenez le gobelet sous le jet d'eau. Placez le bouton de température (1) sur les cannelures (2), tournez ensuite le bouton de température jusqu'à ce que vous atteigniez la température maximale désirée à la sortie (la température de l'eau ne doit pas dépasser 120 degrés ou la valeur autorisée par les codes de plomberie de votre localité).

Si l'eau n'atteint pas la température maximale avant que la butée de température maximale (3) sur le bouton de température (1) n'atteigne la butée de température maximale (4) sur la manette de débit, retirez le bouton de réglage de température (1) des cannelures (2). Tournez le bouton de réglage de température (1) dans le sens horaire. Remplacez le bouton de réglage de température (1)

sur les cannelures (2) et continuez de le tourner dans le sens antihoraire jusqu'à ce que l'eau soit à la température maximale voulue. Enlevez le bouton de température (1) et remplacez-le sur les cannelures (2) en vous assurant que la butée limitatrice de température (3) s'appuie contre la butée de la manette de débit (4) comme le montre la figure. Fixez le bouton de température à l'aide de la vis (5) et placez le capuchon (6) sur le bouton.

**Pour des modèles de Siderna® (série T60X80)**, placez la poignée de la température (bouton) (10) sur la tige de valve et la fixez avec la vis (11). Assurez que le joint circulaire (12) est assemblé sur le chapeau de poignée (13). Installez le chapeau de poignée en le pressant dans l'endroit sur la poignée de la température (10). Fixez le capuchon à l'aide de la vis (14) qui se trouve en dessous de la manette.

## Maintenance – Série 60

### L'eau ne s'écoule qu'en un mince filet:

conduites d'eau chaude et d'eau froide doivent être toutes les deux sous pression. Si seulement un côté est sous pression, le débit d'eau à la sortie du système sera insuffisant.

**La pomme de douche fuit:** retirez la pomme de douche, puis ouvrez et fermez les robinets d'arrêt et vérifiez si la cartouche fuit ou si la pomme de douche se vide lentement (la pomme de douche peut avoir besoin d'un nettoyage si elle se vide lentement).

**Si la fuite persiste -FERMEZ LES ROBINETS D'ARRÊT.**  
Remplacez la cartouche - RP47201.

### Incapacité de régler ou de maintenir la température de l'eau mitigée:

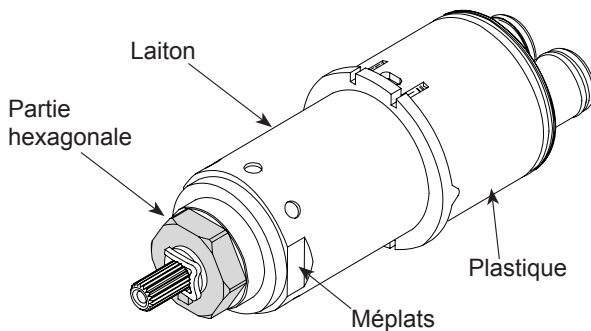
**FERMEZ LES ROBINETS D'ARRÊT.** Retirez la manette, le manchon de finition et l'écrou-chapeau. Assurez-vous que la lettre « H » qui figure sur la cartouche est orientée vers l'entrée d'eau chaude et que la lettre « C » est orientée vers l'entrée d'eau froide du corps de soupape. La cartouche thermostatique ne fonctionnera pas si l'entrée d'eau chaude et l'entrée d'eau froide sont inversées.

**Faible débit:** un faible débit peut être attribuable à des filtres métalliques obstrués à l'intérieur de la cartouche thermostatique.

1. FERMEZ LES ROBINETS D'ARRÊT.
2. Enlevez la manette.
3. Dévissez la partie hexagonale de la cartouche de la section en laiton de la cartouche. Tenez solidement la section en laiton par les méplats pendant que vous tournez la partie hexagonale dans le sens antihoraire. Si vous ne tenez pas la section en laiton assez solidement, la cartouche risque d'être endommagée. (Voir l'illustration ci-dessous).
4. Nettoyez soigneusement les filtres métalliques en faisant couler de l'eau au travers pour évacuer les saletés. Si les saletés sont difficile à enlever, faites tremper les filtres métalliques toute la nuit dans une solution composée à part égales d'eau et de vinaigre.
5. Remontez la cartouche.
6. Remplacez la manette.
7. Ouvrez les robinets d'arrêt.
8. Remettez la butée de température maximale à sa position initiale avant d'utiliser la soupape.

## Fiche de référence sommaire de la cartouche

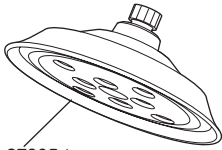
17T



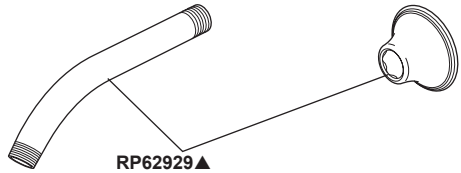
**Commandez le kit RP47201  
pour remplacer la cartouche.**



# T6005, T60205 & T60405 Models / Modelos / Modèles

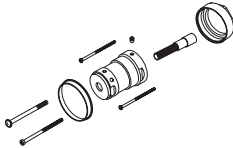


**Model 87305▲**  
Showerhead  
Cabeza de Regadera  
pomme de douche

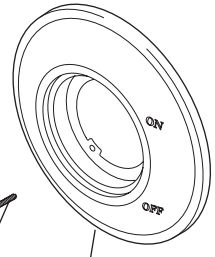


**RP62929▲**  
Shower Arm & Flange  
Brazo de Regadera y Brida  
Tuyau de pomme de douche et collerette

**RP74785**  
Available Extension Kit  
Kit de Extensión disponible  
Kit d'extension disponibles

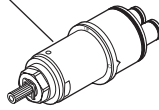


**RP49089▲**  
Trim Ring  
Aro de accesorio  
Anneau décoratif



**RP62930▲**  
Escutcheon  
(Diag. Screw Holes)  
Chapetón  
(Huecos para los  
Tornillos Diagonales)  
Rosace  
(Trous de vis  
en diagonale)

**RP47201**  
Cartridge Assembly  
Cartucho  
Cartouche



**RP23336**  
O-Ring  
Anillo "O"  
Joint torique



**RP50879▲**  
Trim Sleeve  
Manga de Franja  
Manchon de finition



**RP29569**  
Spacer  
Separadores  
Pièce d'espacement

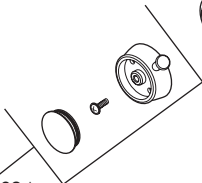
**RP196**  
Trim Screws  
Atornillos de Franja  
Vis de finition

**RP12630**  
Longer Screws  
Tornillos Más Grandes  
Vis plus longues

**RP62931▲**  
Handle Assembly & Set Screw  
Ensamble de la Manija y Tornillo de Ajuste  
Poignée et vis de calage

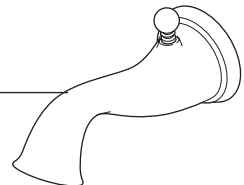


**RP62932▲**  
Temperature Knob, Cover & Screw  
Perilla de la Temperatura, Cubierta y Tornillo  
Poignée de réglage de température et vis



**RP50465**  
Set Screw  
Tornillo de Ajuste  
Vis de calage

**RP49094▲**  
Tub Spout/Pull-Up Diverter  
Tubo de Salida para Bañera/  
Botón Desviador de Alzar  
Bec/avec dérivation à tirette

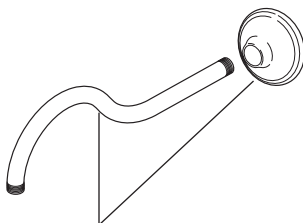


▲Specify Finish / Especificque el Acabado / Précisez le Fini

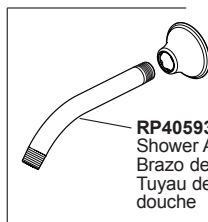
# T60010, T60210, T60211 & T60410 Models / Modelos / Modèles



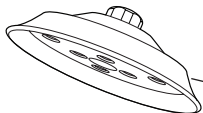
**RP52090▲**  
Showerhead  
Cabeza de Regadera  
Pomme de Douche



**RP54168▲**  
Shower Arm & Flange  
Brazo de Regadera y Brida  
Tuyau de pomme de douche et colerette



**RP40593▲**  
Shower Arm  
Brazo de Regadera  
Tuyau de pomme de douche



**RP7305▲**  
Showerhead  
Cabeza de Regadera  
Pomme de Douche

**RP62929▲**  
Shower Arm & Flange  
Brazo de Regadera y Pestaña  
Tuyau de pomme de douche et colerette



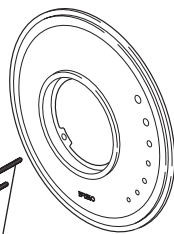
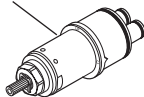
**RP74785**  
Available Extension Kit  
Kit de Extensión disponible  
Kit d'extension disponibles

**RP49089▲**  
Trim Ring  
Aro de accesorio  
Anneau décoratif

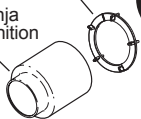
**RP47201**  
Cartridge Assembly  
Cartucho  
Cartouche

**RP49088**  
Spacer  
Separadores  
Pièce d'espacement

**RP50879▲**  
Trim Sleeve  
Manga de Franja  
Manchon de finition



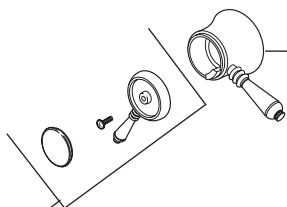
**RP49091▲**  
Escutcheon  
(Diag. Screw Holes)  
Chapetón  
(Huecos para los Tornillos Diagonales)



**RP23336**  
O-Ring  
Anillo "O"  
Joint torique

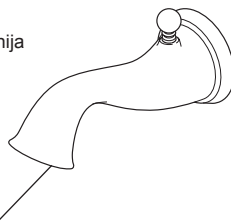
**RP49090**  
Trim Screws  
Atornillos de Franja  
Vis de finition

**RP12630**  
Longer Screws  
Tornillos Más Grandes  
Vis plus longues



**RP49093▲**  
Handle Assembly  
Ensamble de la Manija  
Poignée

**RP49092▲**  
Temperature Knob, Cover & Screw  
Perilla de la Temperatura, Cubierta y Tornillo  
Poignée de réglage de température et vis



**RP49094▲**  
Tub Spout/Pull-Up Diverter  
Tubo de Salida para Bañera/  
Botón Desviador de Alzar  
Bec/avec dérivation à tirette

▲ Specify Finish / Especificque el Acabado / Précisez le Fini

# T60030, T60230 & T60430 Models / Modelos / Modèles

**RP62603▲**  
Shower Arm, Set Screw & Wrench  
Brazo de Regadera, Tornillo de Ajuste y Llave  
Tuyau de Pomme de Douche, Vis de Calage et Clé

**RP62604**  
Wrench  
Llave  
Clé

**RP40650**  
Set Screw  
Tornillo de Ajuste  
Vis de Calage

**RP49349**  
Adapter  
Adaptador  
Adaptateur

**RP74785**  
Available Extension Kit  
Kit de Extensión disponible  
Kit d'extension disponibles

**Order Model 87330▲**  
Showerhead  
Cabeza de Regadera  
Pomme de Douche

**RP47201**  
Cartridge Assembly  
Cartucho  
Cartouche

**RP49089▲**  
Trim Ring  
Aro de accesorio  
Anneau décoratif

**RP50879▲**  
Trim Sleeve  
Manga de Franja  
Manchon de Finition

**RP23336**  
O-Ring  
Anillo "O"  
Joint Torique

**RP49090**  
Trim Screws  
Atornillos de Franja  
Vis de Finition  
RP12630  
Longer Screws  
Tornillos Más Grandes  
Vis Plus Longues

**RP62598▲**  
Escutcheon  
(Diag. Screw Holes)  
Chapetón  
(Huecos para los Tornillos Diagonales)  
Rosace  
(Trous de Vis en Diagonale)

**RP49350**  
Set Screw  
Tornillo de Ajuste  
Vis de Calage

**RP62606▲**  
Handle Assembly & Set Screw  
Ensamble de la Manija y Tornillo de Ajuste  
Poignée et Vis de Calage

**RP49350**  
Set Screw  
Tornillo de Ajuste  
Vis de Calage

**RP26853**  
Allen Wrench  
Llave  
Clé

**RP62607▲**  
Temperature Knob & Set Screw  
Perilla de la Temperatura y Tornillo de Ajuste  
Poignée de Réglage de Température et Vis de Calage

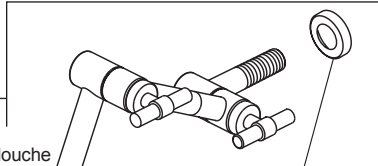
**RP62605▲**  
Tub Spout/Pull-Down Diverter  
Tubo de Salida para Bañera/Desviador de Halar  
Bec/Avec Déviation sur Embout

**RP49349**  
Adapter  
Adaptador  
Adaptateur

▲ Specify Finish / Especificue el Acabado / Précisez le Fini

# T60035, T60235 Models / Modelos / Modèles

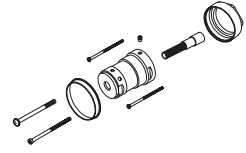
**RP81434▲**  
Shower Arm  
Brazo de Regadera  
Tuyau de pomme de douche



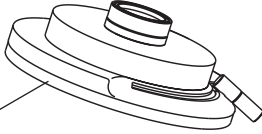
**RP94000▲**  
Flange  
Brida  
Collerette

**RP74785**

Available Extension Kit  
Kit de Extensión disponible  
Kit d'extension disponibles

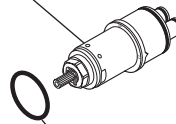


**87435▲**  
Showerhead  
Cabeza de Regadera  
Pomme de douche



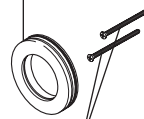
**RP50879▲**  
Trim Sleeve  
Manga de Franja  
Manchon de finition

**RP47201**  
Cartridge Assembly  
Cartucho  
Cartouche



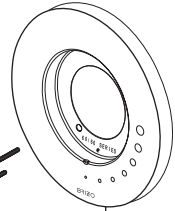
**RP23336**  
O-Ring  
Anillo "O"  
Joint torique

**RP49089▲**  
Trim Ring  
Aro de accesorio  
Anneau décoratif



**RP49090**  
Trim Screws  
Atornillos de Franja  
Vis de finition

**RP12630**  
Longer Screws  
Tornillos Más Grandes  
Vis plus longues



**RP76517▲**  
Escutcheon  
(Diag. Screw Holes)  
Chapetón  
(Huecos para los  
Tornillos Diagonales)  
Rosace  
(Trous de vis  
en diagonale)

**RP90417▲**  
Set Screw & Button  
Tornillo de Presión y Botón  
Vis de calage et Bouton

**RP90418▲**  
Set Screw & Button  
Tornillo de Presión y Botón  
Vis de calage et Bouton

**HL6033▲ (T Lever)**  
Handle Assembly  
Ensamble de la Manija  
Poignée

**HL6034▲**  
**(Industrial Lever)**  
Handle Assembly  
Ensamble de la Manija  
Poignée

**RP90417▲**  
Set Screw & Button  
Tornillo de Presión y Botón  
Vis de calage et Bouton

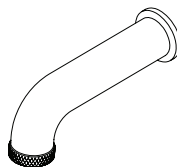
**RP90418▲**  
Set Screw & Button  
Tornillo de Presión y Botón  
Vis de calage et Bouton

**RP90416**  
Set Screw  
Tornillo de Ajuste  
Vis de calage

**RP90418▲**  
Set Screw & Button  
Tornillo de Presión y Botón  
Vis de calage et Bouton

**HL6032▲ (Lever)**  
Handle Assembly  
Ensamble de la Manija  
Poignée

**RP81437▲**  
Tub Spout/Pull-Down Diverter  
Tubo de Salida para Bañera/  
Botón Desviador de Halar  
Bec/avec dérivation dérivation  
sur Embout



▲Specify Finish / Especificque el Acabado / Précisez le fini

# T60040, T60240 & T60440 Models / Modelos / Modèles



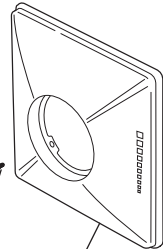
**RP42431▲**  
Showerhead  
Cabeza de Regadera  
Pomme de douche



**RP71649▲**  
Shower Arm & Flange  
Brazo de Regadera y Brida  
Tuyau de pomme de douche et collerette



**RP74785**  
Available Extension Kit  
Kit de Extensión disponible  
Kit d'extension disponibles



**RP49089▲**  
Trim Ring  
Aro de accesorio  
Anneau décoratif

**RP47201**  
Cartridge Assembly  
Cartucho  
Cartouche

**RP49188▲**  
Escutcheon  
(Diag. Screw Holes)  
Chapetón  
(Huecos para los  
Tornillos Diagonales)  
Rosace  
(Trous de vis  
en diagonale)

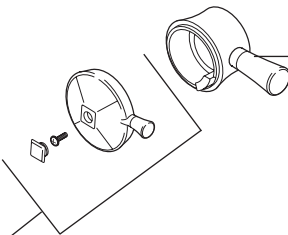
**RP50879▲**  
Trim Sleeve  
Manga de Franja  
Manchon de finition

**RP49088**  
Spacer  
Separadores  
Pièce d'espacement

**RP23336**  
O-Ring  
Anillo "O"  
Joint torique

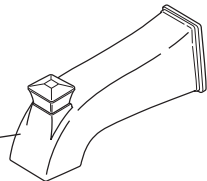
**RP49090**  
Trim Screws  
Atornillos de Franja  
Vis de finition

**RP12630**  
Longer Screws  
Tornillos más grandes  
vis plus longues



**RP49099▲**  
Handle Assembly  
Ensamble de la Manija  
Poignée

**RP49098▲**  
Temperature Knob, Cover & Screw  
Perilla de la Temperatura, Cubierta y Tornillo  
Poignée de réglage de température et vis



**RP49126▲**  
Tub Spout/Pull-Up Diverter  
Tubo de Salida para Bañera/  
Botón Desviador de Alzar  
Bec/avec dérivation à tirette

▲Specify Finish / Especificque el Acabado / Précisez le Fini

# T60050, T60250 & T60450 Models / Modelos / Modèles

**RP75722▲**  
Shower Arm, Set Screw & Wrench  
Brazo de Regadera, Tornillo de Ajuste y Llave  
Tuyau de pomme de douche, vis de calage y clé

**RP40650**  
Set Screw  
Tornillo de Ajuste  
Vis de calage

**RP62604**  
Wrench  
Llave  
Clé

**RP49349**  
Adapter  
Adaptador  
Adaptateur

**RP74785**  
Available Extension Kit  
Kit de Extensión disponible  
Kit d'extension disponibles

**87450▲**  
Showerhead  
Cabeza de Regadera  
Pomme de douche

**RP49089▲**  
Trim Ring  
Aro de accesorio  
Anneau décoratif

**RP47201**  
Cartridge Assembly  
Cartucho  
Cartouche

**RP50879▲**  
Trim Sleeve  
Manga de Franja  
Manchon de finition

**RP23336**  
O-Ring  
Anillo "O"  
Joint torique

**RP49090**  
Trim Screws  
Atornillos de Franja  
Vis de finition

**RP76517▲**  
Escutcheon  
(Diag. Screw Holes)  
Chapetón  
(Huecos para los Tornillos Diagonales)  
Rosace  
(Trous de vis en diagonale)

**RP12630**  
Longer Screws  
Tornillos Más Grandes  
Vis plus longues

**RP49350**  
Set Screw  
Tornillo de Ajuste  
Vis de calage

**RP76518▲**  
Handle Assembly & Set Screw  
Ensamble de la Manija y Tornillo de Ajuste  
Poignée et vis de calage

**RP49350**  
Set Screw  
Tornillo de Ajuste  
Vis de calage

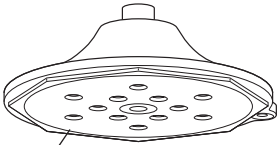
**RP26853**  
Allen Wrench  
Llave  
Clé

**RP76519▲**  
Temperature Knob & Set Screw  
Perilla de la Temperatura y Tornillo de Ajuste  
Poignée de réglage de température et vis de calage

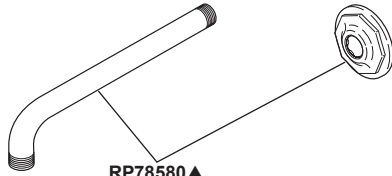
**RP74644▲**  
Tub Spout/Pull-Up Diverter  
Tubo de Salida para Bañera/  
Botón Desviador de Alzar  
Bec/avec dérivation à trette

▲Specify Finish / Especificque el Acabado / Précisez le Fini

# T60061, T60261 & T60461 Models / Modelos / Modèles

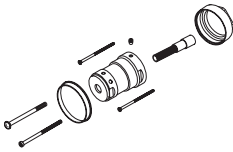


**Model 87461▲**  
Showerhead  
Cabeza de Regadera  
Pomme de douche



**RP78580▲**  
Shower Arm & Flange  
Brazo de Regadera y Brida  
Tuyau de pomme de douche et collerette

**RP74785**  
Available Extension Kit  
Kit de Extensión Disponible  
Kit d'extension disponibles



**RP49089▲**  
Trim Ring  
Aro de accesorio  
Anneau décoratif

**RP49090**  
Trim Screws  
Atornillos de Franja  
Vis de finition

**RP47201**  
Cartridge Assembly  
Cartucho  
Cartouche

**RP50879▲**  
Trim Sleeve  
Manga de Franja  
Manchon de finition



**RP81115▲**  
Handle Assembly  
Ensamble de la Manija  
Poignée

**RP81112▲**  
Escutcheon (Diag. Screw Holes)  
Chapetón (Huecos para los Tornillos Diagonales)  
Rosace (Trous de vis en diagonale)

**RP81526▲**  
Button & Friction Ring  
Botón y Anillo de la Fricción  
Bouton et boucle de frottement

**RP23336**  
O-Ring  
Anillo "O"  
Joint torique

**RP81088▲**  
Escutcheon & Accent Ring  
Chapetón y Argolla de Acento  
Rosace et anneau décoratif

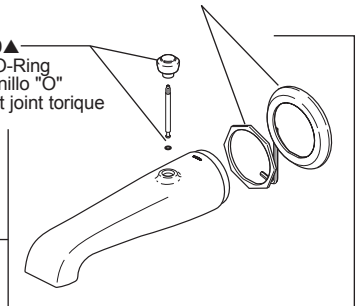
**RP81116▲**  
Screw, Temperature Knob Assembly & O-Ring  
Tornillo, Perilla de la Temperatura y Anillo "O"  
Vis, poignée de réglage de température et joint torique

**RP26853**  
Allen Wrench  
Llave  
Clé

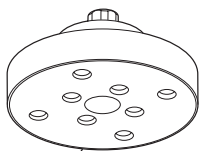
**RP81089▲**  
Finial & O-Ring  
Perill y Anillo "O"  
Bouton et joint torique

- ▲ Specify Finish
- ▲ Especifica el Acabado
- ▲ Précisez le fini

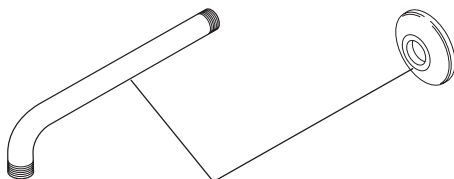
**RP78581▲**  
Tub Spout/Pull-Up Diverter  
Tubo de Salida para Bañera/  
Botón Desviador de Alzar  
Bec/avec dérivation à trette



# T60075, T60275 & T60475 Models / Modelos / Modèles

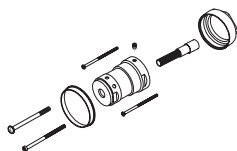


**Model 87375▲**  
Showerhead  
Cabeza de Regadera  
Pomme de douche



**RP71648▲**  
Shower Arm & Flange  
Brazo de Regadera y Brida  
Tuyau de pomme de douche et collerette

**RP74785**  
Available Extension Kit  
Kit de Extensión Disponible  
Kit d'extension disponibles



**RP29569**  
Spacer  
Separadores  
Pièce d'espacement

**RP50879▲**  
Trim Sleeve  
Manga de Franja  
Manchon de finition

**RP47201**  
Cartridge Assembly  
Cartucho  
Cartouche

**RP49089▲**  
Trim Ring  
Aro de accesorio  
Anneau décoratif

**RP49095▲**  
Escutcheon  
(Diag. Screw Holes)  
Chapetón  
(Huecos para los  
Tornillos Diagonales)  
Rosace  
(Trous de vis  
en diagonale)

**RP23336**  
O-Ring  
Anillo "O"  
Joint torique

**RP196**  
Trim Screws  
Atornillos de Franja  
Vis de finition

**RP12630**  
Longer Screws  
Tornillos Más Grandes  
Vis plus longues

**RP49097▲**  
Handle Assembly  
Ensamble de la Manija  
Poignée

**RP50953**  
Set Screw & Wrench  
Tornillo de Ajuste y Llave  
Vis de calage et Clé

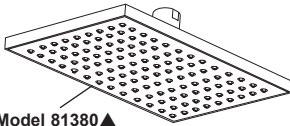
**RP49096▲**  
Temperature Knob, Cover & Screw  
Perilla de la Temperatura, Cubierta y Tornillo  
Poignée de réglage de température et vis

**RP54874▲**  
Tub Spout/Pull-Down Diverter & Allen Wrench  
Tubo de Salida para Bañera/Desviador de Halar  
y Llave  
Bec/Avec dérivation sur embout et clé

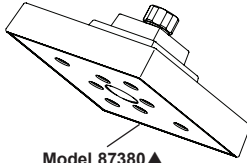
▲Specify Finish / Especificque el Acabado / Précisez le Fini



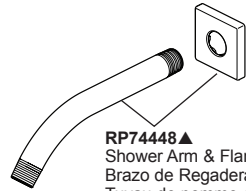
# T60080, T60280, T60281 & T60480 Models / Modelos / Modèles



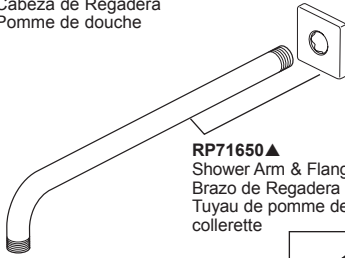
**Model 81380▲**  
Showerhead  
Cabeza de Regadera  
Pomme de douche



**Model 87380▲**  
Showerhead  
Cabeza de Regadera  
Pomme de douche

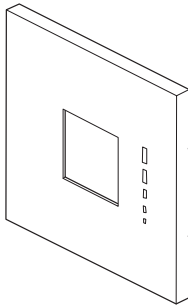


**RP74448▲**  
Shower Arm & Flange  
Brazo de Regadera y Brida  
Tuyau de pomme de douche  
et collerette



**RP71650▲**  
Shower Arm & Flange  
Brazo de Regadera y Pestaña  
Tuyau de pomme de douche et  
collerette

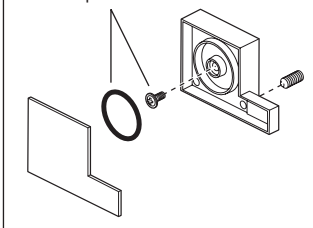
**RP63688**  
Mounting Plates, Sleeves & Screws  
Placas de Montaje, Mangas y  
Tornillos  
Plaques de montage, manchons  
et vis



**RP63687▲**  
Escutcheon - 7 7/8" square  
Chapetón - 7 7/8" cuadrado  
Rosace - 7 7/8 po carré

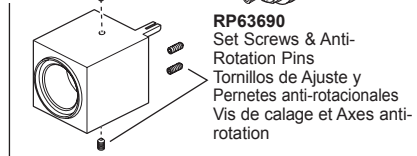
**RP74640▲**  
Escutcheon - 7" square (effective Jan. 2013)  
Chapetón - 7" cuadrado (en vigor desde enero 2013)  
Rosace - 7 po carré (entrée en vigueur Janvier 2013)

**RP63685**  
O-Ring & Screw  
Anillo "O" y Tornillo  
Joint torique et vis



**RP63684▲**  
Temperature Knob Assembly  
Perilla de la Temperatura  
Poignée de réglage de température

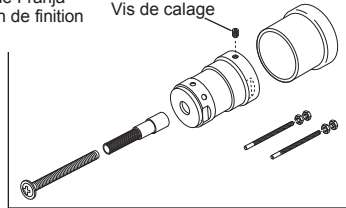
**RP47201**  
Cartridge Assembly  
Cartucho  
Cartouche



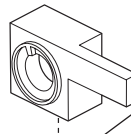
**RP63690**  
Set Screws & Anti-  
Rotation Pins  
Tornillos de Ajuste y  
Pernetes anti-rotacionales  
Vis de calage et Axes anti-  
rotation

**RP63689▲**  
Trim Sleeve  
Manga de Franja  
Manchon de finition

**RP16497**  
Set Screw  
Tornillo de Ajuste  
Vis de calage



**RP82245**  
Extension Kit  
Piezas de extensión  
Trousse de Rallonge

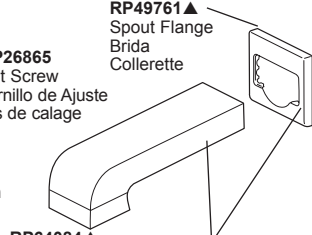


**RP63686▲**  
Handle Assembly  
Ensamble de la Manija  
Poignée

**RP49761▲**  
Spout Flange  
Brida  
Collerette

**RP26865**  
Set Screw  
Tornillo de Ajuste  
Vis de calage

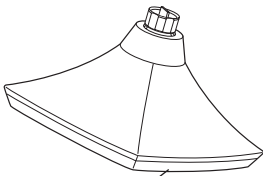
**RP26853**  
Allen Wrench  
Llave  
Clé



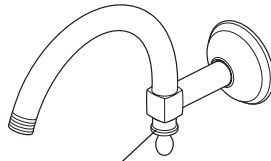
**RP64084▲**  
Tub Spout/Pull-Down Diverter & Flange  
Tubo de Salida para Bañera/Desviador de  
Halar y Brida  
Bec/Avec Dérivation sur Embout et collerette

▲Specify Finish / Especificque el Acabado / Précisez le Fini

# T60085, T60285 & T60485 Models / Modelos / Modèles

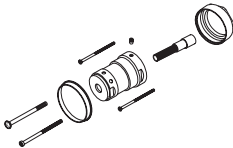


**Order Model 87385▲**  
Showerhead  
Cabeza de Regadera  
Pomme de Douche



**RP70909▲**  
Shower Arm & Flange  
Brazo de Regadera y Brida  
Tuyau de Pomme de Douche et Collettere

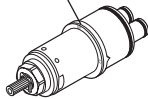
**RP74785**  
Available Extension Kit  
Kit de Extensión disponible  
Kit d'extension disponibles



**RP50879▲**  
Trim Sleeve  
Manga de Franja  
Manchon de Finition



**RP47201**  
Cartridge Assembly  
Cartucho  
Cartouche



**RP23336**  
O-Ring  
Anillo "O"  
Joint Torique



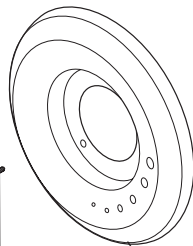
**RP49089▲**  
Trim Ring  
Aro de accesorio  
Anneau décoratif



**RP49090**  
Trim Screws  
Atornillos de Franja  
Vis de Finition

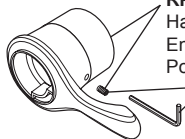


**RP12630**  
Longer Screws  
Tornillos Más Grandes  
Vis Plus Longues

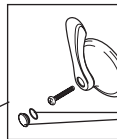


**RP70905▲**  
Escutcheon  
Chapetón  
Rosace

**RP70906▲**  
Handle Assembly & Set Screw  
Ensamble de la Manija y Tornillo de Ajuste  
Poignée et Vis de Calage



**RP70916**  
Set Screw & Allen Wrench  
Tornillos de Ajuste y Llaves Hexagonales  
Vis de calage et Clés hexagonales



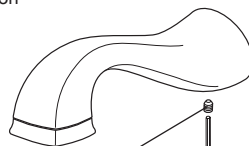
**RP70907▲**  
Temperature Knob, Screw & Button  
Perilla de la Temperatura, Tornillo y Botone  
Poignée de Réglage de Température, Vis et bouton



**RP70918▲**  
Button & O-ring  
Botone y Anillo "O"  
Bouton et Joint Torique

- ▲ Specify Finish
- ▲ Especifico el Acabado
- ▲ Précisez le fini

**RP70908▲**  
Tub Spout/Pull-Down Diverter  
Tubo de Salida para Bañera/Desviador de Halar  
Bec/Avec Dérivation sur Embout



**RP63510**  
Set Screw & Allen Wrench  
Tornillos de Ajuste y Llaves  
Vis de calage et Clés



**RP49349**  
Adapter  
Adaptador  
Adaptateur

**RP70917▲**  
Spout Flange  
Brida del Surtidor  
Collettere du bec

# T60090, T60290 & T60490 Models / Modelos / Modèles

**RP48040▲**  
Shower Arm, Set Screw & Wrench  
Brazo de Regadera, Tornillo de Ajuste y Llave  
Tuyau de pomme de douche, vis de calage y clé

**RP40650**  
Set Screw  
Tornillo de Ajuste  
Vis de calage

**RP62604**  
Wrench  
Llave  
Clé

**RP49349**  
Adapter  
Adaptador  
Adaptateur

**RP74785**  
Available Extension Kit  
Kit de Extensión Disponible  
Kit d'extension disponibles

**RP48041▲**  
Showerhead  
Cabeza de Regadera  
Pomme de douche

**RP49089▲**  
Trim Ring  
Aro de Accesorio  
Anneau décoratif

**RP47201**  
Cartridge Assembly  
Cartucho  
Cartouche

**RP50879▲**  
Trim Sleeve  
Manga de Franja  
Manchon de finition

**RP23336**  
O-Ring  
Anillo "O"  
Joint torique

**RP49090**  
Trim Screws  
Atornillos de Franja  
Vis de finition

**RP49346▲**  
Escutcheon  
(Diag. Screw Holes)  
Chapetón  
(Huecos para los Tornillos Diagonales)  
Rosace  
(Trous de vis en diagonale)

**RP12630**  
Longer Screws  
Tornillos Más Grandes  
Vis plus longues

**RP49350**  
Set Screw  
Tornillo de Ajuste  
Vis de calage

**RP49347▲**  
Handle Assembly & Set Screw  
Ensamble de la Manija y Tornillo de Ajuste  
Poignée et vis de calage

**RP49350**  
Set Screw  
Tornillo de Ajuste  
Vis de calage

**RP26853**  
Allen Wrench  
Llave  
Clé

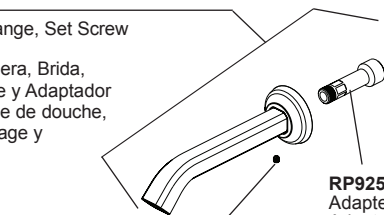
**RP49348▲**  
Temperature Knob & Set Screw  
Perilla de la Temperatura y Tornillo de Ajuste  
Poignée de réglage de température et vis de calage

**RP49345▲**  
Tub Spout/Pull-Up Diverter  
Tubo de Salida para Bañera/  
Botón Desviador de Alzar  
Bec/avec dérivation à tirette

▲ Specify Finish / Especificque el Acabado / Précisez le Fini

# T60098 & T60298 Models / Modelos / Modèles

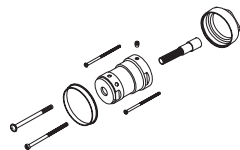
**RP92044▲**  
Shower Arm, Flange, Set Screw  
& Adapter  
Brazo de Regadera, Brida,  
Tornillo de Ajuste y Adaptador  
Tuyau de pomme de douche,  
Bride, vis de calage y  
Adaptateur



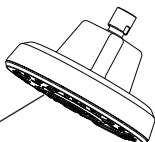
**RP40650**  
Set Screw  
Tornillo de Ajuste  
Vis de calage

**RP92505**  
Adapter  
Adaptador  
Adaptateur

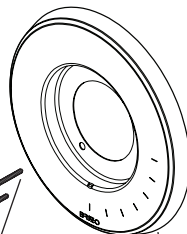
**RP74785**  
Available Extension Kit  
Kit de Extensión disponible  
Kit d'extension disponibles



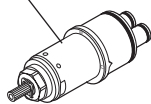
**87498▲**  
Showerhead  
Cabeza de Regadera  
Pomme de douche



**RP49089▲**  
Trim Ring  
Aro de accesorio  
Anneau décoratif



**RP47201**  
Cartridge Assembly  
Cartucho  
Cartouche



**RP50879▲**  
Trim Sleeve  
Manga de Franja  
Manchon de finition



**RP23336**  
O-Ring  
Anillo "O"  
Joint torique

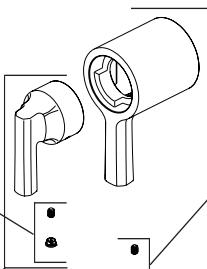


**RP49090**  
Trim Screws  
Atornillos de Franja  
Vis de finition

**RP12630**  
Longer Screws  
Tornillos Más Grandes  
Vis plus longues

**RP100424▲**  
Escutcheon  
(Diag. Screw Holes)  
Chapetón  
(Huecos para los  
Tornillos Diagonales)  
Rosace  
(Trous de vis  
en diagonale)

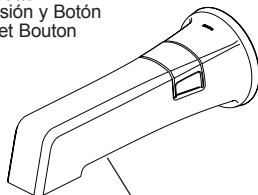
**RP100428**  
Set Screw &  
Button  
Tornillo de  
Presión y Botón  
Vis de calage et  
Bouton



**RP100425▲**  
Volume Handle, Button & Set Screw  
Manija de volumen, botón y tornillo de fijación  
Poignée de volume, bouton et vis de réglage

**RP100427**  
Set Screw & Button  
Tornillo de Presión y Botón  
Vis de calage et Bouton

**RP26853**  
Allen Wrench  
Llave  
Clé



**RP100426▲**  
Temperature Handle, Button & Set Screw  
Mango de temperatura, botón y tornillo de fijación  
Poignée de température, bouton et vis de réglage

**RP92042▲**  
Tub Spout/Pull-Up Diverter  
Tubo de Salida para Bañera/  
Botón Desviador de Alzar  
Bec/avec dérivation à trette

▲Specify Finish / Especificque el Acabado / Précisez le Fini







Brizo Kitchen & Bath Company  
Product Service  
55 E. 111th Street  
Indianapolis, IN 46280



# BRIZO®

## **IMPORTANT DOCUMENTS ENCLOSED**

### **CAUTION:**

**To reduce the risk of injury due to hot water burns, make sure the enclosed labels are applied where specified on the label.**

---

## **DOCUMENTOS IMPORTANTES INCLUIDOS**

### **AVISO:**

**Para reducir el riesgo de lesión por quemaduras de agua caliente, asegúrese que las etiquetas incluidas se han aplicado donde se ha especificado en la etiqueta.**

---

## **DOCUMENTS IMPORTANTS À L'INTÉRIEUR**

### **MISE EN GARDE :**

**Pour réduire le risque d'ébouillantage, veuillez apposer les étiquettes fournies aux endroits indiqués sur celles-ci.**

**NOTICE TO INSTALLER:** Place this label on the water heater next to the temperature adjustment knob.

**WARNING:**

This series of tub/shower valves does not adjust automatically for changes in temperature at the hot water heater or inlet. If the temperature setting of the hot water heater or inlet is changed, the setting on these valves must be adjusted manually! Failure to re-adjust the valve may result in hot water burns or extreme cold resulting from variations in line pressure (such as when a dishwasher or washing machine is in use while you are taking a shower). After installation, verify that the temperature knob on the valve is set so that changes in line pressure or temperature do not result in uncomfortable water temperature changes. **If the temperature setting of the hot water heater or inlet is changed after installation of the valve, the setting of the temperature knob also must be changed!** Consult the installation instruction sheet for instructions on how to make this setting, or call us at 1-877-345-BRIZO.

**AVISO AL INSTALADOR:** Coloque esta etiqueta en el calentador de agua al lado de la perilla que ajusta la temperatura.

**AVISO:**

Esta serie de válvulas para bañeras/regaderas no se ajusta automáticamente a los cambios de temperatura en el calentador de agua o del agua de entrada. ¡Si el ajuste de temperatura del calentado del agua caliente o del agua de entrada, el ajuste en estas válvulas debe ajustarse manualmente! El no reajustar la válvula puede resultar en quemaduras por agua caliente o temperaturas de agua extremadamente frías resultando en variaciones de presión y temperatura (como cuando el fregador de platos o la lavadora están funcionando mientras que se baña). Después de la instalación, verifique que la perilla para el control de la temperatura en la válvula está ajustada para que cambios de presión y de temperatura en la línea no resulten en cambios de temperatura del agua incómodos. **Si el ajuste de la temperatura del calentador de agua o de la entrada de agua se cambia después de la instalación de la válvula, la perilla que ajuste ¡la temperatura también se debe cambiar!** Consulte con su hoja de instrucciones de instalación para saber como se ajusta o cambia el ajuste o llámenos al 1-877-345-BRIZO.

**AVIS À L'INSTALLATEUR :** Placez cette étiquette sur le chauffe-eau, près du bouton de réglage de température.

**AVERTISSEMENT:**

La soupape de robinet de baignoire ou de douche de cette série ne se règle pas automatiquement en fonction des changements de température de l'eau chaude au chauffe-eau ou de l'eau d'alimentation. En cas de modification du réglage de température du chauffe-eau ou de la température de l'eau d'alimentation, le réglage de ces soupapes doit être modifié manuellement! Si le réglage de la soupape n'est pas modifié, le robinet pourra permettre l'écoulement d'eau très chaude susceptible de causer l'ébouillantage ou d'eau très froide, sous l'effet des variations de pression et de température dans la tuyauterie d'alimentation (lorsque la douche est utilisée en même temps que le lave-vaisselle ou la machine à laver, par exemple). Après l'installation, assurez-vous que le bouton de température sur la soupape est réglé de manière que les fluctuations de pression et de température dans la tuyauterie d'alimentation n'entraînent pas de changements de température de l'eau inconfortables. **En cas de modification du réglage de température du chauffe-eau ou de la température de l'eau d'alimentation après l'installation de la soupape, le réglage du bouton de température doit être modifié!** Pour régler le bouton de température, consultez la feuille d'instructions d'installation ou appelez-nous au 1-877-345-BRIZO.

**NOTICE TO INSTALLER:** Place this label close to the valve where the owner will see it, such as inside the door of a cabinet or vanity.

**WARNING:**

Water temperature changes due to seasonal or other inlet variations, such as changing the setting on the hot water heater may require adjustment of the temperature knob on your tub/shower valve to ensure a safe maximum temperature. This valve series does not automatically adjust for inlet temperature changes. If changes occur and you are not sure how to make the necessary temperature knob adjustments, please consult the installation instruction sheet provided with this valve or call 1-877-345-BRIZO. This valve is designed to reduce the risk of injury due to inlet pressure or temperature changes, commonly caused by dishwashers, washing machines, toilets and the like. **It may not provide protection from hot water burns when there is a failure of other temperature controlling devices elsewhere in the plumbing system.** After making the necessary adjustments, please fill in the information below. This valve/system has been set by the person listed below to help ensure a safe maximum temperature. Any change in the setting may raise the temperature of the water coming out of the shower or bath above the limit considered safe and could lead to hot water burns. If this label has not been completed, you should verify that the temperature knob has been properly adjusted to suit your individual installation. The installation instruction sheet supplied with the valve provides information on how to make this setting.

**AVISO AL INSTALADOR:** Coloque esta etiqueta cerca de la válvula donde el propietario la pueda ver, tal como dentro de la puerta del gabinete o el tocador.

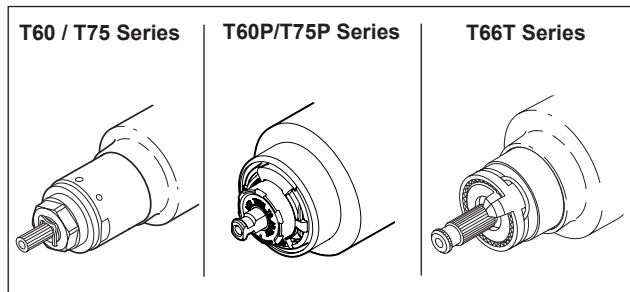
**AVISO:**

Los cambios de temperatura del agua por variaciones estacionales u otras variaciones en el agua de entrada, como cambiando el ajuste en el calentador de agua pueden requerir el ajuste de la perilla para el control de la temperatura de su unidad bañera/regadera para ayudar a asegurar una temperatura máxima segura. Este válvulas no se ajusta automáticamente a cambios de temperatura en el agua de admisión. Si los cambios ocurren y usted no está seguro como hacer los ajustes necesarios con la perilla para controlar la temperatura, por favor consulte la hoja de instrucciones de instalación proporcionada con esta válvula o llámenos al 1-877-345-BRIZO. Esta válvula está diseñada para reducir el riesgo de lesión por cambios de temperatura del agua que entra o por los cambios de presión del agua que comúnmente son causados por los usos simultáneos de fregadoras de platos, lavadoras, sanitarios y aparatos similares. **Puede no proporcionar protección de quemaduras por el agua caliente cuando hay una falla de otros mecanismos que controlan la temperatura del agua en otro sitio del sistema de plomería.** Después de hacer los ajustes necesarios, por favor escriba la información a continuación. Esta válvula/sistema ha sido ajustada por la persona indicada a continuación para ayudar a asegurar una temperatura máxima segura. Cualquier cambio al ajuste puede aumentar la temperatura del agua que sale de la ducha o el baño sobre el límite considerado seguro y puede resultar en quemaduras por el agua caliente. Si esta etiqueta no se a llenado, debe verificar si la perilla para el control de la temperatura hay sido correctamente ajustada para al gusto de su instalación individual. La hoja de instrucciones de instalación proporcionada con las válvulas le suministra información sobre como hacer esto.

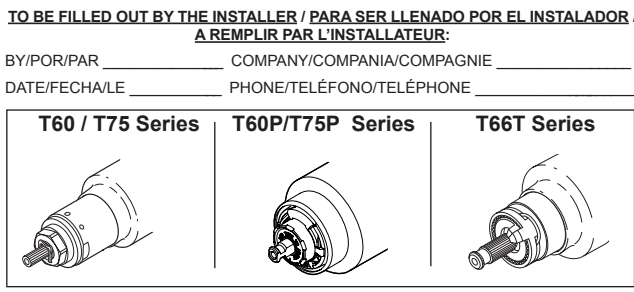
**AVIS À L'INSTALLATEUR :** Placez cette étiquette près de la soupape à un endroit où le propriétaire pourra la voir, du côté intérieur de la porte de l'armoire ou du meuble par exemple.

**AVERTISSEMENT:**

La température de l'eau peut varier en raison des changements de saison, d'une modification du réglage du chauffe-eau ou d'autres changements. Par conséquent, un réglage du bouton de température de votre soupape de douche ou de baignoire peut s'imposer pour que la température maximale de l'eau demeure sécuritaire. Les soupapes de cette série ne s'ajustent pas automatiquement aux changements de température de l'eau d'alimentation. Si des changements vous obligent à régler le bouton de température et vous n'êtes pas certain de la marche à suivre, veuillez consulter le feuillet d'instructions fourni avec la soupape ou appeler au 1-877-345-BRIZO. Cette soupape est conçue pour réduire les risques de blessures causées par des changements de la température ou de la pression de l'eau d'alimentation habituellement causés par le lave-vaisselle, la machine à laver, une toilette ou un autre appareil qui consomme de l'eau. **Elle peut ne pas assurer de protection contre l'ébouillantage en cas de défauts d'un autre dispositif de régulation de la température dans la tuyauterie. Après avoir effectué le réglage nécessaire, veuillez inscrire l'information requise ci-dessous.** La personne dont le nom figure ci-dessous a réglé cette soupape pour qu'elle puisse maintenir une température maximale sécuritaire. Toute modification du réglage peut entraîner une élévation de la température de l'eau s'écoulant par la douche ou dans la baignoire au delà de la limite considérée sécuritaire, ce qui pourrait causer un ébouillantage. Si cette étiquette n'a pas été remplie, vous devriez vous assurer que le bouton de température a été réglé en fonction des caractéristiques de votre installation. Le feuillet d'instruction fourni avec la soupape indique la marche à suivre pour effectuer le réglage.



**BRIZO®**



**BRIZO®**